

Ikegami

ISD-A33

Hyper Wide Light Dynamic
Dome Color Camera



HYPER HD DYNAMIC

As the newest addition to the Ikegami Hyper Dynamic Camera Series, Model ISD-A33 features an extremely wide light dynamic range, high sensitivity and high resolution enabled by a 1/3-inch Pixim Seawolf sensor and Ikegami's digital processing technology. This camera is equipped with an auto iris vari-focal lens, back-light compensation, automatic iris control and phase adjustable AC line lock or crystal controlled internal sync lock system.

It is a Hyper Wide Light Dynamic Range Dome Camera that reproduces a clear and natural image even in locations where there is a significant difference in the intensity of illumination, such as window areas, or in lobby entrance of building.



■ ISD-A33 Black Version

FEATURES

■ All-in-One Ergonomic Compact Dome Housing

This dome camera comes with an aesthetic dome housing.

■ Hyper Wide Light Dynamic Range (Hyper WDR)



The Hyper WDR function provides for very effective compensation of high light and dark areas in screen. This situation may occur generally outside or viewing from indoor to outside scenes. Even in large light fluctuations, bright-and-dark objects can be captured and viewed clearly with a natural color.

■ Focus EZ Function

Thanks to the Level Indicator, a focusing point is visibly recognized. The auto iris lens aperture will be kept open, even in broad daylight. This ensures that an accurate focus can be set readily with the best depth of field.

■ High-quality Picture and High Resolution



The camera is designed for smear-free imaging and low noise. The well-designed DSP, Digital Signal Processor, effectively enhances details, which achieves crisp and sharp images with a high signal-to-noise ratio. The high resolution of 480TVL/520TVL-High-Reso Mode (690 HTVL-Effective) is assured.

■ High Sensitivity

Various modes of Automatic Gain control (AGC) are available to finely adjust the camera settings depending on the subject's illumination conditions. With the AGC and a slow shutter in combination, high sensitivity of up to 0.011 lx/F1.5 is achieved.

■ Scene File Function (4 positions)

Along with a normal setting (NORMAL), 4 position scene file (preset file) for each particular scene is provided. Using this function enables an easy setup suitable for a scene without any special adjustment.

ISD-A33 Hyper Wide Light Dynamic Dome Color Camera

Specifications

Image Sensor	1/3-inch DPS CMOS sensor
Pixel Number	Approx. 410,000 pixels, 768 (H) x 540 (V)
Scanning System	NTSC: 525 TV lines/59.94 Hz, 2 : 1 interlaced PAL: 625 TV lines/50 Hz, 2 : 1 interlaced
Sync System	Internal Sync (Crystal Lock), External Sync (AC Line Lock)
Video Output	VBS 1.0 Vp-p/75 ohms
Horizontal Resolution	480 TVL/520 TVL-High-Reso Mode (690 HTVL-Effective)
S/N Ratio	50 dB (p-p/rms) or better
Minimum Illumination	ISD-A33 TYPE31: 0.22 lx/F1.2 (AGC ON, 50IRE) ISD-A33 TYPE92: 0.35 lx/F1.5 (AGC ON, 50IRE)
Wide Dynamic Range	Built-in, and Variable
AGC	ON (AGC, HYPER-AGC) / OFF (LOW, MID, HIGH), selectable
Electronic Sensitivity Control	Built-in, ON (AUTO) / OFF selectable (Maximum 32 times)
White Balance Control	ATW/ATWex/AWC/MANU, selectable
Detail Correction	Built-in
Digital Noise Reduction	Built-in, On / OFF selectable (DNR Function)
Color Rolling Reduction Function	Built-in, On / OFF selectable (CRR Function)
Privacy Masking	Built-in (Maximum 8 zones)
Monitor Output Selection	Built-in, CRT / LCD Selectable
Camera ID	Up to 24 characters (alphanumeric and symbols)
Remote Setup Function	Available (with an optional Remote Setup Unit)

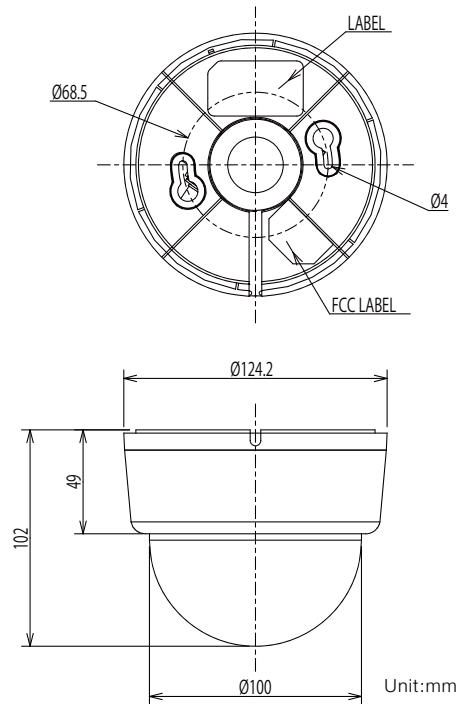
Vari-focal Lens

Built-in

Model	Mount	Focal Length (f)	Maximum Aperture Ratio (F)	Viewing Angle (H)	Viewing Angle (V)
ISD-A33 TYPE31	Φ14 straight	2.9 - 10mm	1.2	94.6° - 28.8°	68.4° - 21.6°
ISD-A33 TYPE92	Φ14 straight	9 - 22mm	1.5	30.6° - 13.0°	22.6° - 9.8°

Power Requirement	AC24V ±10%, 50/60Hz DC12V (10.5 - 15V)
Power Consumption	Approx. 2.0W
Operating Temperature and Relative Humidity	-10 to +50°C (13.5 to 122°F), RH 30 to 90% (No Condensation)
Size (Diameter & Height)	ø124.2mm x 102.0mm (ø 4.9 x 4inch), excluding protrusions
Weight	340 g (Approx. 0.75 lbs)
Input/Output Connectors	Pig-tail Type VIDEO OUT -- BNC, DC12V / AC24V Input -- Open-end wire Dome Inside MON. OUT – Special connector output (Connector harness with BNC Output is available.)
Standard Accessories	Instruction Manual, MON.OUT Output Harness, Tapping screws for fixing the camera (2 pcs.)

* Specifications and design are subject to change for product improvements without notice.



Ceiling Mount for ISD-A33(Optional)

XHG-3329-W(White) XHG-3329-B(Black)



Wall Mount for ISD-A33(Optional)

IK-WM100-I-W(White)
IK-WM100-I-B(Black)



Design and specifications are subject to change without notice.

Ikegami IKEGAMI ELECTRONICS (U.S.A.), INC. ■ URL <http://www.ikegami.com>

HEADQUARTERS 37 BROOK AVENUE, MAYWOOD, NJ 07607
Phone:(201) 368-9171 Fax:(201) 569-1626

Ikegami Tsushinki Co.,Ltd.

■ URL:<http://www.ikegami.co.jp/en/>

■ Head Office 5-6-16 Ikegami, Ohta-ku, Tokyo 146-8567, Japan TEL.03-5700-1111/FAX.03-5700-1137

Ikegami Electronics (Europe) GmbH ■ URL:<http://www.ikegami.de>

■ Headquarters Ikegami Strasse 1, D-41460 Neuss, Germany TEL.02131-1230/FAX. 02131-102820

U221A123-IB

