

# Ikegami

## ISD-A15

Hyper Wide Light Dynamic  
Compact Cube Day/Night Camera



### HYPER HD DYNAMIC

As the newest addition to the Ikegami Hyper Dynamic Camera Series, Model ISD-A15 features an extremely wide light dynamic range, high sensitivity and high resolution enabled by a 1/3-inch Pixim Seawolf sensor and Ikegami's digital processing technology. It is a Hyper Wide Light Dynamic Range Box Camera that reproduces a clear and natural image even in locations where there is a significant difference in the intensity of illumination, such as window areas, or in lobby entrances of buildings. ISD-A15 comes with a compact cube body, giving it the flexibility for a broad array of locations and equipment, such as ATM machines and outdoor housings.

## FEATURES

### Hyper Wide Light Dynamic Range (Hyper WDR)



The Hyper WDR function provides for very effective compensation of high light and dark areas in screen. This situation may occur generally outside or viewing from indoor to outside scenes. Even in large light fluctuations, bright-and-dark objects can be captured and viewed clearly with a natural color.

### Compact Body of Super Cube

This camera comes with a compact cube body, that is suitable for the locations such as ATM machines.



### Focus EZ Function

Thanks to the Level Indicator, a focusing point is visibly recognized. The auto iris lens aperture will be kept open, even in broad daylight. This ensures that an accurate focus can be set readily with the best depth of field.

### High-quality Picture and High Resolution



The camera is designed for smear-free imaging and low noise. The well-designed DSP, Digital Signal Processor, effectively enhances details, which achieves crisp and sharp images with a high signal-to-noise ratio. The high resolution of a horizontal resolution of 520TVL (690 HTVL-Effective) is assured.

### Scene File Function (4 positions)

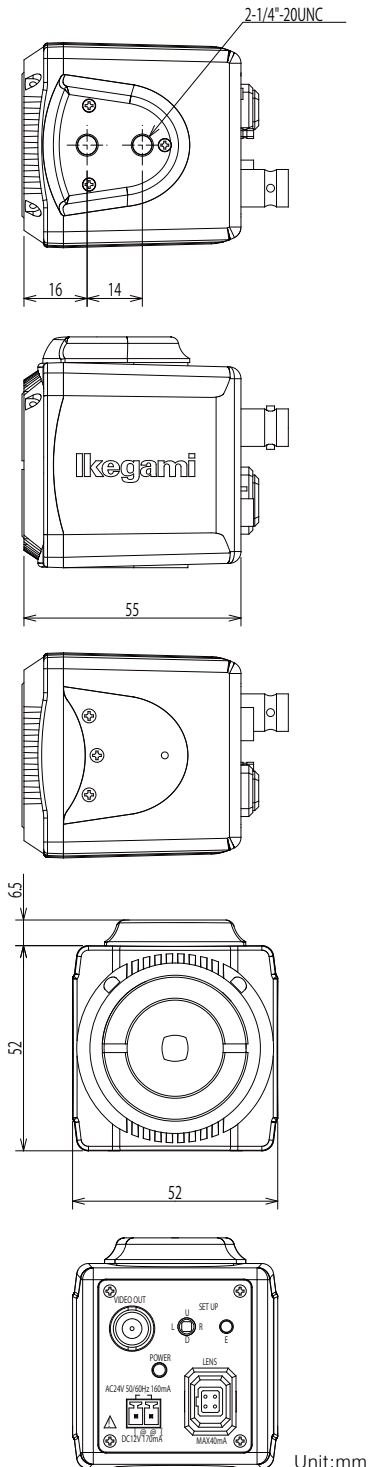
Along with a normal setting (NORMAL), 4 position scene file (preset file) for each particular scene is provided. Using this function enables an easy setup suitable for a scene without any special adjustment.

# ISD-A15

Hyper Wide Light Dynamic  
Compact Cube Day/Night Camera

## Specifications

<b>Image Sensor</b>	1/3-inch DPS CMOS sensor
<b>Pixel Number</b>	Approx. 410,000 pixels, 768 (H) x 540 (V)
<b>Scanning System</b>	NTSC: 525 TV lines/59.94 Hz, 2 : 1 interlaced PAL: 625 TV lines/50 Hz, 2 : 1 interlaced
<b>Sync System</b>	Internal Sync (Crystal Lock), External Sync (AC Line Lock)
<b>Video Output</b>	VBS 1.0 Vp-p/75 ohms
<b>Horizontal Resolution</b>	520 TV lines (690 HTVL-Effective)
<b>S/N Ratio</b>	50 dB (p-p/rms) or better
<b>Minimum Illumination</b>	0.3 lx/F1.4 (Electronic Sens. Up OFF, VBS Output 50%)
<b>Day &amp; Night Function</b>	Built-in, AUTO/MANUAL selectable True Day/Night (ISD-A15-TDN), Digital Day/Night (ISD-A15)
<b>Wide Dynamic Range</b>	Built-in, and Variable
<b>AGC</b>	ON (AGC, HYPER-AGC) / OFF (LOW, MID, HIGH), selectable
<b>Electronic Sensitivity Control</b>	Built-in, ON (AUTO) / OFF selectable (Maximum 32 times)
<b>White Balance Control</b>	ATW/ATWex/AWC/MANU, selectable
<b>Detail Correction</b>	Built-in
<b>Digital Noise Reduction</b>	Built-in, On / OFF selectable (DNR Function)
<b>Color Rolling Reduction Function</b>	Built-in, On / OFF selectable (CRR Function)
<b>Privacy Masking</b>	Built-in (Maximum 8 zones)
<b>Monitor Output Selection</b>	Built-in, CRT / LCD Selectable
<b>Camera ID</b>	Up to 24 characters (alphanumeric and symbols)
<b>Remote Setup Function</b>	Available (with an optional Remote Setup Unit)
<b>Lens Mount</b>	CS Mount (C Mount adaptor is available as an option.)
<b>Auto Iris Function</b>	DC Iris (DC Iris level adjustable)
<b>Lens Flange Focus</b>	Built-in and adjustable
<b>Power Requirement</b>	AC24V ±10%, 50/60Hz DC12V (10.5 to 15V)
<b>Power Consumption</b>	2.2W
<b>Operating Temperature and Relative Humidity</b>	-10 to +50°C (13.5 to 122°F), RH 30 to 90% (No Condensation)
<b>Dimension (W x H x D)</b>	52 x 52 x 55 mm (2.05 x 2.05 x 2.16 inches), excluding protrusions
<b>Weight</b>	200g (Approx. 0.44 lbs)
<b>Input/Output Connectors</b>	VIDEO OUT -- BNC LENS -- 4P (applicable plug E4-191J-150 or equivalent) DC12V/AC24V input -- 2P
<b>Standard Accessories</b>	Instruction Manual, Hexagonal Wrench for flange focus adjustment



\* Specifications and design are subject to change for product improvements without notice.

Design and specifications are subject to change without notice.

**Ikegami** IKEGAMI ELECTRONICS (U.S.A.), INC. ■ URL <http://www.ikegami.com>

**HEADQUARTERS** 37 BROOK AVENUE, MAYWOOD, NJ 07607  
Phone:(201) 368-9171 Fax:(201) 569-1626

**Ikegami Tsushinki Co.,Ltd.** ■ URL:<http://www.ikegami.co.jp/en/>

■ Head Office 5-6-16 Ikegami, Ohta-ku, Tokyo 146-8567, Japan TEL.03-5700-1111/FAX.03-5700-1137

**Ikegami Electronics (Europe) GmbH** ■ URL:<http://www.ikegami.de>

■ Headquarters Ikegami Strasse 1, D-41460 Neuss, Germany TEL.02131-1230/FAX. 02131-102820

U224A123-IB



IQA-QMA0755 IQA-EM3888