

IXS0 Series Sarix® IP Camera

0.5 MEGA PIXEL STANDARD DEFINITION DIGITAL CAMERAS

Product Features

- Open IP Standards
- Up to SVGA Resolution (800 x 600)
- Up to 30 Images per Second (ips) at All Resolutions
- Auto Back Focus
- H.264, MJPEG, and MPEG-4 Compression Capability
- Color and Day/Night Models
- Video Setup Jack
- Sensitivity Down to 0.03 lux
- Power over Ethernet (IEEE 802.3af) or 24 VAC
- Up to 2 Simultaneous Video Streams
- Electronic PTZ Through the Web Browser
- Local Storage (Micro SD) for Alarm Capture
- Adaptive Motion Detection

The **Sarix® IXS0 Series** is a standard definition network camera designed with industry-leading image quality and high performance processing power. Designed to install quickly, the camera comes equipped with the advanced features needed for demanding security applications.

Sarix technology defines the next generation of video security imaging performance, delivering high resolution, advanced lowlight capabilities, consistent color science, and fast processing power. The H.264 compression video files are considerably smaller, making network video storage more affordable.

Camera

The **IXS0 Series** has two standard definition models: color and day/night. Both models feature advanced low light technology capabilities. The day/night model has a mechanical IR cut filter for increased sensitivity in low light installations.

The **IXS0 Series** can support two simultaneous video streams. The two streams can be compressed in MJPEG, MPEG-4, and H.264 formats across several resolution configurations. The streams can be configured to a variety of frame rates, bit rates, and GOP (group of pictures) structures for additional bandwidth administration.

The **IXS0 Series** is simple to install, and the automatic back focus control feature makes sharp scene focus setup easy. A convenient video setup jack eliminates the need to use a laptop for viewing video when installing the camera.

The **IXS0 Series** features built-in Power over Ethernet (PoE) IEEE 802.3af, which supplies power to the camera over the network, eliminating the need for a separate power supply. If PoE is not available, 24 VAC can be used to power the camera.



(LENS NOT SUPPLIED WITH CAMERA)

- ONVIF v1.02 Conformant
- Audio Accessory Available

Built-In Analytics

The **Pelco Camera Sabotage** and **Adaptive Motion Detection** behaviors are standard features of the IXS0 Series. **Camera Sabotage** detects contrast changes in the field of view. An alarm is triggered if the lens is obstructed with spray paint, a cloth, or covered with a lens cap. **Adaptive Motion Detection** tracks objects that enter the field of view and triggers an alarm when an object enters a user-defined zone.

Web Interface

The **IXS0 Series** uses a standard Web browser for powerful remote setup and administration.

Window Blanking

Window blanking is used to conceal user-defined privacy areas that cannot be viewed by an operator. The **IXS0 Series** supports up to four blanked windows. A blanked area will appear on the screen as a solid gray window.

Systemization

The **IXS0 Series** easily connects to Pelco IP and hybrid systems such as Endura® version 2.0 (or later) and Digital Sentry® version 7.3 (or later). The camera is also compatible with Digital Sentry NVs (DS NVs), a full-featured video management software, which is available as a free download at www.pelco.com. DS NVs includes four free Pelco IP licenses and allows for the management of video from up to 64 cameras.

The **IXS0 Series** features open architecture connectivity to third-party software. Pelco offers an application programming interface (API) and software developer's kit (SDK) for interfacing with Pelco's IP cameras.



by Schneider Electric

International Standards
Organization Registered Firm;
ISO 9001 Quality System



C2950 / REVISED 3-19-12

TECHNICAL SPECIFICATIONS

GENERAL

Imaging Device	
16:9 Aspect Ratio	1/3-inch (effective)
4:3 and 5:4 Aspect Ratio	1/4-inch (effective)
Imager Type	CMOS
Imager Readout	Progressive scan
Maximum Resolution	800 x 600
Signal-to-Noise Ratio	50 dB
Auto Iris Lens Type	DC drive
Electronic Shutter Range	1 ~ 1/100,000 sec
Wide Dynamic Range	60 dB
White Balance Range	2,000° to 10,000°K
Sensitivity	f/1.2; 2,850°K; SNR >24 dB
Color (33 ms)	0.50 lux
Color SENS (500 ms)	0.12 lux
Mono (33 ms)	0.25 lux
Mono SENS (500 ms)	0.03 lux
Weight (without lens)	0.50 kg (1.11 lb)
Shipping Weight	0.90 kg (2.00 lb)

ELECTRICAL

Port	RJ-45 connector for 100Base-TX Auto MDI/MDI-X
Cabling Type	Cat5 or better for 100Base-TX
Power Input	22 to 34 VAC; 24 VAC nominal or PoE (IEEE 802.3af class 3)
Power Consumption	<6 W
Current Consumption	
PoE	<200 mA maximum
24 VAC	<295 mA nominal; <390 mA maximum
Local Storage	Micro SD
Alarm Input	10 VDC maximum, 5 mA maximum
Alarm Output	0 to 15 VDC maximum, 75 mA maximum
Service Port	External 3-connector, 2.5 mm provides NTSC/PAL video output

MECHANICAL

Lens Mount	CS mount, adjustable
Camera Mount	0.25-inch (0.64 cm) UNC-20 screw, top and bottom of camera housing

ENVIRONMENTAL

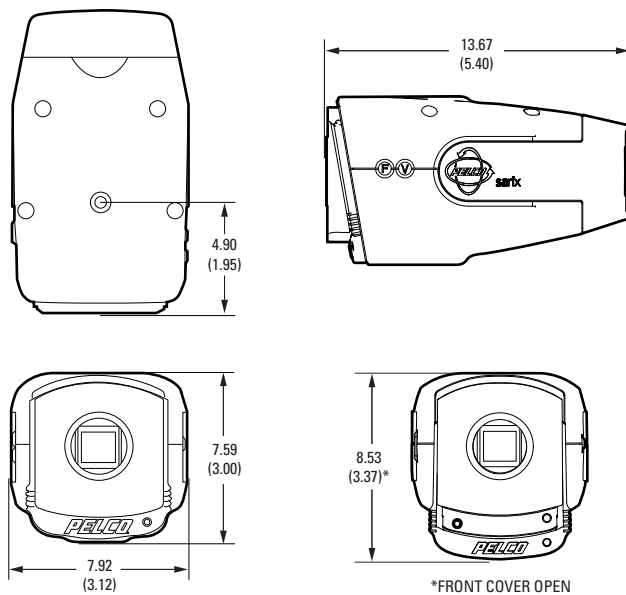
Operational Temperature	-10° to 50°C (14° to 122°F)
Storage Temperature	-10° to 70°C (14° to 158°F)
Storage Humidity	20% to 90%, noncondensing



FRONT VIEW, CAMERA ONLY
(OPENED TO EXPOSE SERVICE PORT)



NOTE: VALUES IN PARENTHESES ARE INCHES;
ALL OTHERS ARE CENTIMETERS.



REAR VIEW

TECHNICAL SPECIFICATIONS

VIDEO

Video Encoding H.264 Base profile, MPEG-4, MJPEG
 Video Streams Up to 2 simultaneous streams; the second stream is variable based on the setup of the primary stream
 Frame Rate Up to 30, 25, 24, 15, 12.5, 12, 10, 8, 7.5, 6, 5, 4, 3, 2.5, 2, 1 (dependent upon coding, resolution, and stream configuration)

Resolution	Resolution			MJPEG		H.264 Base Profile		MPEG-4	
	MPx	Width	Height	Aspect Ratio	Maximum IPS	Recommended Bit Rate	Maximum IPS	Recommended Bit Rate	Maximum IPS
0.5	800	600	4:3	30 ips	5.8 Mbps	25 ips	2.0 Mbps	N/A	N/A
0.3	640	480	4:3	30 ips	3.7 Mbps	30 ips	1.6 Mbps	30 ips	1.7 Mbps
0.1	320	240	4:3	30 ips	0.9 Mbps	30 ips	0.4 Mbps	30 ips	0.4 Mbps

Additional Resolutions 640 x 512, 640 x 352, 480 x 368, 480 x 272, 320 x 256, 320 x 176, 4CIF (704 x 480 and 704 x 576), and CIF (352 x 240 and 352 x 288)

Supported Protocols TCP/IP, UDP/IP (Unicast, Multicast IGMP), UPnP, DNS, DHCP, RTP, RTSP, NTP, IPv4, SNMP v2c/v3, QoS, HTTP, HTTPS, LDAP (client), SSH, SSL, SMTP, FTP, and 802.1x (EAP)

Users
 Unicast Up to 20 simultaneous users depending on resolution settings (2 guaranteed streams)
 Multicast Unlimited users H.264 or MPEG-4

Security Access Password protected

Software Interface Web browser view and setup

Pelco System Integration Endura 1.5 (or later), MPEG-4 or Endura 2.0 (or later), H.264 Digital Sentry 7.3 (or later) DX8100 Series 2.0 (or later) DVR5100 Series 1.5.4 (or later)

Open API Pelco API or ONVIF v1.02

Minimum System Requirements

Processor Intel® Pentium® 4 microprocessor, 1.6 GHz
 Operating System Microsoft® Windows® XP, Windows Vista®, or Mac® OS X 10.4 (or later)
 Memory 512 MB RAM
 Network Interface Card 100 megabits (or greater)
 Monitor Minimum of 1024 x 768 resolution, 16- or 32-bit pixel color resolution
 Web Browser* Internet Explorer® 7.0 (or later) or Mozilla® Firefox® 3.5 (or later); Internet Explorer® 8.0 (or later) is recommended for configuring analytics
 Media Player† Pelco Media Player or QuickTime® 7.6.5 for Windows XP, Windows Vista, or QuickTime 7.6.4 for Mac OS X 10.4

*Internet Explorer is not supported by Mac OS X 10.4.

†This product is not compatible with QuickTime version 7.6.4 for Windows XP or Windows Vista. If you have this version installed on your PC, you will need to upgrade to QuickTime version 7.6.5.

TECHNICAL SPECIFICATIONS

MODELS

IXSOC	Sarix SVGA 0.5 MPx network color camera
IXS0DN	Sarix SVGA 0.5 MPx network day/night camera

CERTIFICATIONS

- CE, Class B
- FCC, Class B
- UL/cUL Listed
- C-Tick
- ONVIF 1.02

OPTIONAL ACCESSORIES

IX-SC	Service/monitor cable, 1.22 m (4 ft); compatible with standard BNC connectors
AUD-1	External audio accessory
ALM-1	External alarm accessory

RECOMMENDED MOUNTS

C10-UM	Universal camera mount
--------	------------------------

RECOMMENDED ENCLOSURES

EH1512	Indoor/outdoor enclosure
EH3512	Outdoor enclosure
DF8	8-inch fixed mount dome

RECOMMENDED LENSES

13VD2.5-6	Varifocal lens, 2.5 ~ 6.0 mm, f/1.4 ~ 2.1
13VD2.8-12	Varifocal lens, 2.8 ~ 12.0 mm, f/1.4 ~ 2.9
13VD5-50	Varifocal lens, 5.0 ~ 50.0 mm, f/1.4 ~ 2.9

Field of View in Degrees		Aspect Ratio		
		16:9	4:3	5:4
2.5 mm	Horizontal	98	83	80
	Vertical	55	63	64
2.8 mm	Horizontal	89	74	71
	Vertical	48	55	56
3.0 mm	Horizontal	82	69	67
	Vertical	46	52	53
5.0 mm	Horizontal	50	42	40
	Vertical	28	32	32
6.0 mm	Horizontal	42	36	34
	Vertical	24	27	28
8.0 mm	Horizontal	32	27	26
	Vertical	18	20	20
12.0 mm	Horizontal	21	18	17
	Vertical	12	13	14
50.0 mm	Horizontal	5	4	4
	Vertical	3	3	3