

# IMS0 Sarix® IP Mini Indoor Fixed Dome

## 0.5 MEGA PIXEL STANDARD DEFINITION INTEGRATED CAMERA

### Product Features

- Up to 0.5 Megapixel Resolution (800 x 600)
- Up to 30 Images per Second (ips) at All Resolutions
- Compact Size with 3-inch Bubble
- Varifocal 2.8 ~ 10 mm Lens
- Easy Installation
- H.264, MPEG-4 and MJPEG Compression
- Sensitivity Down to 0.12 lux
- Power over Ethernet (PoE), IEEE 802.3af
- Video Setup Jack Accessible with Dome Installed
- Up to 2 Simultaneous Video Streams
- Electronic PTZ Through the Web Browser
- Open IP Standards
- Adaptive Motion Detection
- ONVIF v1.02 conformant

The **Sarix® IMS0** is a standard definition network indoor fixed dome camera designed with industry-leading image quality and high performance processing power. From back box wiring to focusing the lens, the **IMS0** is designed to install quickly and easily.

**Sarix** technology defines the next generation of video security imaging performance, delivering high resolution, advanced low-light capabilities, consistent color science, and fast processing power. The H.264 compression video files are considerably smaller, making network video storage more affordable.

### Fixed Dome Camera

The **IMS0** contains an integrated varifocal 2.8 - 10 mm lens. All models include a camera in a compact indoor enclosure that is ready to install.

The **IMS0** supports two simultaneous video streams. The two streams can be compressed in MJPEG, MPEG4, and H.264 formats across several resolution configurations. The streams can be configured in a variety of frame rates, bit rates, and group of pictures (GOP) structures for additional bandwidth administration.

### Built-In Analytics

The **Pelco Camera Sabotage** and **Adaptive Motion Detection** behaviors are standard features of the **IMS0**. **Camera Sabotage** detects contrast changes in the field of view. An alarm is triggered if the lens is obstructed with spray paint, a cloth, or covered with a lens cap. **Adaptive Motion Detection** tracks objects that enter the field



of view and triggers an alarm when an object enters a user-defined zone.

### Web Interface

The **IMS0** uses a standard Web browser for powerful remote setup and administration.

### Window Blanking

Window blanking is used to conceal user-defined privacy areas that cannot be viewed by an operator. The **IMS0** supports up to four blanked windows. A blanked area will appear on the screen as a solid gray window.

### Video Systemization

The **IMS0** easily connects to Pelco IP and hybrid systems such as Endura® version 2.0 (or later) and Digital Sentry® version 4.3 (or later). The camera is also compatible with Digital Sentry NVs (DS NVs), a full-featured video management software, which is available as a free download at [www.pelco.com](http://www.pelco.com). DS NVs includes four free Pelco IP licenses and allows for the management of video from up to 64 cameras.

The **IMS0 Series** features open architecture connectivity to third-party software. Pelco offers an application programming interface (API) and software developer's kit (SDK) for interfacing with Pelco's IP cameras.



by Schneider Electric



C2973 / REVISED 2-13-12

# TECHNICAL SPECIFICATIONS

## GENERAL

|                          |  |
|--------------------------|--|
| Imaging Device           | 1/3-inch (effective)   |
| Imager Type              | CMOS   |
| Imager Readout           | Progressive scan   |
| Maximum Resolution       | 800 x 600  |
| Signal-to-Noise Ratio    | 50 dB  |
| Auto Iris Lens Type      | DC drive   |
| Electronic Shutter Range | 1 ~ 1/100,000 sec  |
| Wide Dynamic Range       | 60 dB  |
| White Balance Range      | 2,000° to 10,000°K   |
| Sensitivity              | f/1.3; 2,850°K; SNR >24 dB   |
| Color (1x/33 ms)         | 0.5 lux  |
| Color SENS (15x/500 ms)  | 0.12 lux   |
| Dome Attenuation         |  |
| Clear                    | Zero light loss  |
| Smoked                   | f/1.0 light loss   |
| Construction             |  |
| Back-box                 | Cast aluminum and polycarbonate plastic  |
| Trim ring                | Polycarbonate plastic  |
| Bubble                   | Acrylic plastic  |
| Finish                   | White  |
| Weight                   |  |
| Unit                     | 0.35 kg (0.77 lb)  |
| Shipping                 | 0.91 kg (2.00 lb)  |
| Available Languages      | Chinese, English, French, German, Italian, Portuguese, Russian, Spanish, and Turkish |

## ELECTRICAL

|                            |  |
|----------------------------|--|
| Port                       | RJ-45 connector for 100Base-TX<br>Auto MDI/MDI-X               |
| Cable Type                 | Cat5 or better for 100Base-TX                                  |
| Power Input                | PoE (IEEE 802.3af class 2)                                     |
| Power Consumption          | <6 W   |
| Current Consumption<br>PoE | <200 mA maximum  |
| Service Port               | External 3-connector, 2.5 mm provides<br>NTSC/PAL video output |
| Accessory Port             | Connects Pelco accessories                                     |

## MECHANICAL

|                     |        |
|---------------------|--------|
| Pan/Tilt Adjustment | Manual |
| Pan                 | 355°   |
| Tilt                | 180°   |
| Rotate              | 220°   |

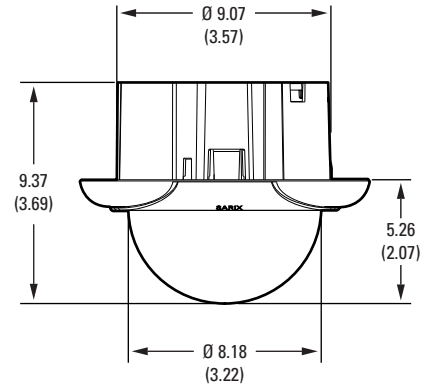
## ENVIRONMENTAL

|                         |                           |
|-------------------------|---------------------------|
| Operational Temperature | 0° to 50°C (32° to 122°F) |
| Operational Humidity    | 20% to 80%, noncondensing |

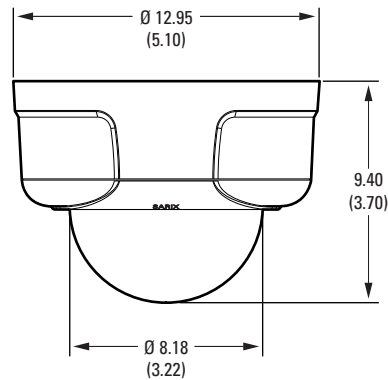


NOTE: VALUES IN PARENTHESES ARE INCHES; ALL OTHERS ARE CENTIMETERS.

### IN-CEILING



### SURFACE MOUNT (Mounting Ring Included)



COMPACT SIZE. EASY TO INSTALL.

# TECHNICAL SPECIFICATIONS

## VIDEO

Video Encoding H.264 Base profile, MPEG-4, and MJPEG  
 Video Streams Up to 2 simultaneous streams; the second stream is variable based on the setup of the primary stream  
 Frame Rate Up to 30, 25, 24, 15, 12.5, 12, 10, 8, 7.5, 6, 5, 4, 3, 2, 1 (dependent upon coding, resolution, and stream configuration)

| Available Resolutions | Resolution |       |        | MJPEG        |             | H.264 Base Profile   |             | MPEG-4               |             |                      |
|-----------------------|------------|-------|--------|--------------|-------------|----------------------|-------------|----------------------|-------------|----------------------|
|                       | MPx        | Width | Height | Aspect Ratio | Maximum IPS | Recommended Bit Rate | Maximum IPS | Recommended Bit Rate | Maximum IPS | Recommended Bit Rate |
|                       | 0.5        | 800   | 600    | 4:3          | 30 ips      | 5.8 Mbps             | 25 ips      | 2.0 Mbps             | N/A         | N/A                  |
|                       | 0.3        | 640   | 480    | 4:3          | 30 ips      | 3.7 Mbps             | 30 ips      | 1.6 Mbps             | 30 ips      | 1.7 Mbps             |
|                       | 0.1        | 320   | 240    | 4:3          | 30 ips      | 0.9 Mbps             | 30 ips      | 0.4 Mbps             | 30 ips      | 0.4 Mbps             |

Additional Resolutions 640 x 512, 640 x 352, 480 x 368, 480 x 272, 320 x 256, 320 x 176, 4CIF (704 x 489 and 704 x 576), and CIF (352 x 240 and 352 x 288)

Supported Protocols TCP/IP, UDP/IP (Unicast, Multicast IGMP), UPnP, DNS, DHCP, RTP, RTSP, NTP, IPv4, SNMPv2c/v3, QoS, HTTP, HTTPS, LDAP (client), SSH, SSL, SMTP, FTP, and 802.1x (EAP)

Users  
 Unicast Up to 20 simultaneous users depending on resolution settings (2 guaranteed streams)

Multicast Unlimited users H.264

Security Access Password protected

Software Interface Web browser view and setup

Pelco System Integration Endura 2.0 (or later) or Digital Sentry 4.3 (or later)

Open API Pelco API or ONVIF v1.02

### Minimum System Requirements

Processor Intel® Pentium® 4 microprocessor, 1.6 GHz

Operating System Microsoft® Windows® XP, Windows Vista®, or Mac® OS X 10.4 (or later)

Memory 512 MB RAM

Network Interface Card 100 megabits, minimum

Monitor Minimum of 1024 x 768 resolution, 16- or 32-bit pixel color resolution

Web Browser\* Internet Explorer® 7.0 (or later) or Mozilla® Firefox® 3.5 (or later); Internet Explorer® 8.0 (or later) is recommended for configuring analytics

Media Player† Pelco Media Player or QuickTime® 7.6.5 for Windows XP, Windows Vista, or QuickTime 7.6.4 for Mac OS X 10.4

\*Internet Explorer is not supported by Mac OS X 10.4.

†This product is not compatible with QuickTime version 7.6.4 for Windows XP or Windows Vista. If you have this version installed on your PC, you will need to upgrade to QuickTime version 7.6.5.

## LENS

| Field of View<br>in Degrees |            | Aspect Ratio |     |     |
|-----------------------------|------------|--------------|-----|-----|
|                             |            | 16:9         | 4:3 | 5:4 |
| 2.8 mm                      | Horizontal | 91           | 76  | 73  |
|                             | Vertical   | 50           | 56  | 58  |
| 10.0 mm                     | Horizontal | 25           | 21  | 20  |
|                             | Vertical   | 14           | 16  | 16  |

# TECHNICAL SPECIFICATIONS

## MODEL

IMSOC10-1

Sarix mini indoor fixed dome network camera,  
0.5 MPx, color, 2.8 - 10 mm varifocal lens,  
white trim ring, clear dome



NOTE: VALUES IN PARENTHESES ARE INCHES; ALL OTHERS ARE CENTIMETERS.

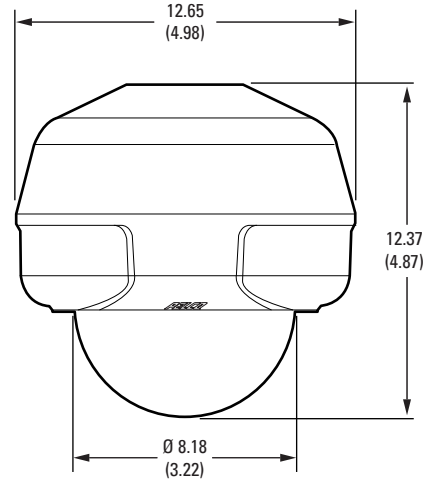
## CERTIFICATIONS/RATINGS/PATENTS

- CE, Class B
- FCC, Class B
- UL/cUL Listed
- C-Tick
- Patents Pending
- ONVIF 1.02

## OPTIONAL ACCESSORIES

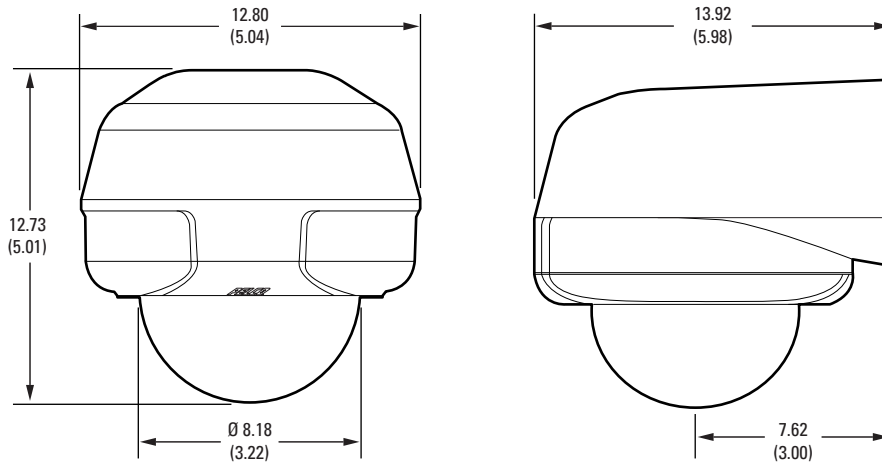
|            |  |
|------------|--|
| IM-PMWT    | White pendant mount  |
| IM-WMWT    | White integrated wall mount  |
| LDIM-0     | White lower dome with smoked bubble  |
| IX-SC      | Service/monitor cable, 1.22 m (4 ft);<br>compatible with standard BNC connectors |
| AUD-1      | External audio accessory   |
| ALM-1      | External alarm accessory   |
| POE20U560G | Single port PoE injector   |

## PENDANT (Mount Available as Accessory)



## INTEGRATED WALL MOUNT

(Available as Accessory)



## Pelco by Schneider Electric

3500 Pelco Way, Clovis, California 93612-5699 United States

**USA & Canada** Tel (800) 289-9100 Fax (800) 289-9150

**International** Tel +1 (559) 292-1981 Fax +1 (559) 348-1120

[www.pelco.com](http://www.pelco.com)

Pelco, the Pelco logo, and other trademarks associated with Pelco products referred to in this publication are trademarks of Pelco, Inc. or its affiliates. All other product names and services are the property of their respective companies.

ONVIF and the ONVIF logo are trademarks of ONVIF Inc. Product specifications and availability are subject to change without notice.

©Copyright 2012, Pelco, Inc. All rights reserved.