

Sarix® IM10LW-E IP Mini Dome with SureVision

INDOOR/OUTDOOR, 1.2 MPX, H.264, WDR, AND LOW-LIGHT PERFORMANCE

Product Features

- Up to 1.2 Megapixel (MPx) Resolution (1280 x 960)
- Up to 30 Images per Second (ips) at 1280 x 720
- Advanced Low-Light Capability
- Wide Dynamic Range with Anti-Bloom Technology
- Day/Night Models with Mechanical IR Cut Filter
- Compact Camera with 3-Inch Bubble
- Auto Focus Varifocal 2.8 ~ 10 mm Megapixel Lens
- Vandal-Resistant, Indoor/Outdoor, Environmental
- H.264 and MJPEG Compression
- Sensitivity Down to 0.0013 lux
- Line-in and Line-out Audio
- Power over Ethernet (PoE), IEEE 802.3af Class 3
- Up to 2 Simultaneous Video Streams
- Web Viewing

The **Sarix® IM10LW-E** is a 1.2 MPx IP indoor fixed dome camera designed with SureVision technology. SureVision seamlessly delivers advanced low-light capability, wide dynamic range (WDR), and anti-bloom technology for industry-leading image quality. Anti-bloom technology adjusts the image to create the best picture when a bright light source is introduced in a dark scene, such as the glaring head lights of nighttime traffic.

The **IM10LW-E** sturdy metal design is tamper-resistant and is designed for worry-free use in a wide range of environmental operating conditions. The back box is plenum rated per 2008 NEC article 300.22(C)(2).

Sarix technology defines the next generation of video security imaging performance, delivering high definition (HD) resolution, advanced low-light capabilities, consistent color science, and fast processing power. The H.264 compression video files are considerably smaller making HD video more affordable.

Fixed Dome Camera

The **IM10LW-E** camera is a rugged compact indoor/outdoor enclosure that is ready to install. The camera features an integrated varifocal 2.8 ~ 10 mm megapixel lens.

The **IM10LW-E** supports two simultaneous video streams. The two streams can be compressed in MJPEG and H.264 formats across several resolution configurations. The streams can be configured in a variety of frame rates, bit rates, and group of pictures (GOP) structures for additional bandwidth administration.



- Open IP Standards
- Adaptive Motion Detection
- ONVIF v1.02 Conformant

Built-In Analytics

The **Pelco Camera Sabotage** and **Adaptive Motion Detection** behaviors are standard features of the IM10LW-E. **Camera Sabotage** detects contrast changes in the field of view. An alarm is triggered if the lens is obstructed with spray paint, a cloth, or covered with a lens cap. **Adaptive Motion Detection** tracks objects that enter the field of view and triggers an alarm when an object enters a user-defined zone.

Web Interface

The **IM10LW-E** uses a standard Web browser for powerful remote setup and administration.

Window Blanking

Window blanking is used to conceal user-defined privacy areas that cannot be viewed by an operator. The **IM10LW-E** supports up to four blanked windows. A blanked area will appear on the screen as a solid gray window.

Video Systemization

The **IM10LW-E** easily connects to Pelco IP and hybrid systems such as Endura® version 2.0, Digital Sentry® version 7.3 (or later), and Digital Sentry NVs. The camera also features open architecture connectivity to third-party software. Pelco offers an application programming interface (API) and software developer's kit (SDK) that enables third-party systems to interface with Pelco's IP cameras.



by **Schneider** Electric

International Standards
Organization Registered Firm;
ISO 9001 Quality System



C2999 / REVISED 3-21-12

TECHNICAL SPECIFICATIONS

GENERAL

| | |
|--------------------------|--|
| Imaging Device | 1/3-inch |
| Imager Type | CMOS |
| Imager Readout | Progressive scan |
| Maximum Resolution | 1280 x 960 |
| Signal-to-Noise Ratio | 50 dB |
| Auto Iris Lens Type | DC drive |
| Electronic Shutter Range | 1 ~ 1/77,000 sec |
| Wide Dynamic Range | 120 dB* |
| White Balance Range | 2,000° to 10,000°K |
| Sensitivity | f/1.2; 2,850°K; SNR >20 dB |
| Color (1x/33 ms) | 0.10 lux |
| Color SENS (15x/500 ms) | 0.005 lux |
| Mono (1x/33 ms) | 0.05 lux |
| Mono SENS (15x/500 ms) | 0.0013 lux |
| Dome Attenuation | |
| Clear | Zero light loss |
| Smoked | f/1.0 light loss |
| Construction | |
| Back Box | Alodine aluminum |
| Bubble | Polycarbonate plastic |
| Finish | Light gray powder coat |
| Weight | |
| Unit | 0.6 kg (1.4 lb) |
| Shipping | 1.0 kg (2.2 lb) |
| Available Languages | Chinese, English, French, German, Italian, Portuguese, Russian, Spanish, and Turkish |

ELECTRICAL

| | |
|--------------------|--|
| Port | RJ-45 connector for 100Base-TX Auto MDI/MDI-X |
| Cable Type | Cat5 or better for 100Base-TX |
| Power Input | PoE (IEEE 802.3af class 3) |
| Power Consumption† | 3.9 W nominal (heater off), 7.0 W nominal (heater on) |
| Service Port | External 3-connector, 2.5 mm provides NTSC/PAL video output |
| Accessory Port | Connects Pelco accessories |
| Audio | |
| Streaming | Bidirectional: full or half duplex |
| Input/Output | Line level/external microphone input; 600-ohm differential, 1 Vp-p max signal level |
| Compression | G.711 PCM 8 bit, 8 kHz mono at 64 kbit/s |

MECHANICAL

| | |
|---------------------|--------|
| Pan/Tilt Adjustment | Manual |
| Pan | 355° |
| Tilt | 180° |
| Rotate | 220° |

ENVIRONMENTAL

| | |
|-----------------------|---|
| Operating Temperature | -20° to 50°C (-4° to 122°F) |
| Thermostat Operation | Heater thermostatically controlled to operate below 5°C (41°F) |
| Operating Humidity | 20% to 95% relative humidity |
| Impact Resistance | IK10++ per EN62262 (50J) |
| Shock and Vibration | Meets EN50155 Category 1, Class B; IEC60068: 2-6 and 2-27 |

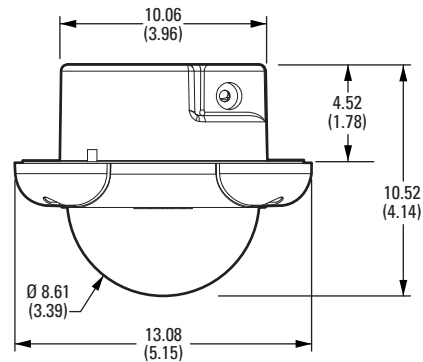
*Sensor level; not inclusive of SureVision image processing.

†Does not include optional accessories connected to the accessory port.



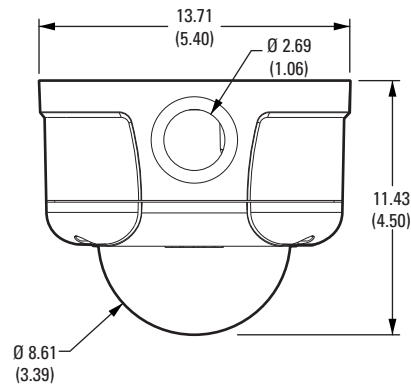
NOTE: VALUES IN PARENTHESES ARE INCHES; ALL OTHERS ARE CENTIMETERS.

IN-CEILING



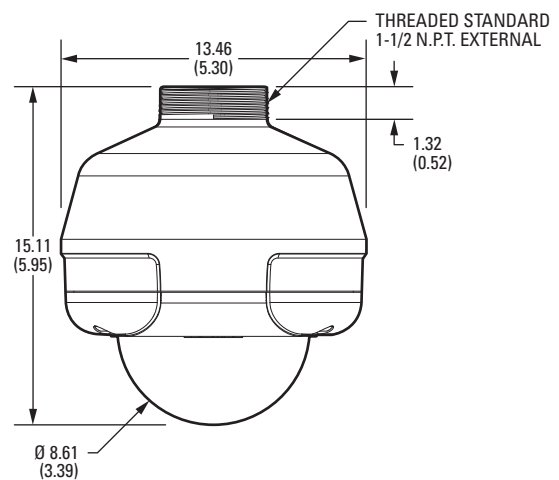
SURFACE

(Mounting Ring is Available as an Accessory)



PENDANT

(Mount is Available as an Accessory)



TECHNICAL SPECIFICATIONS

VIDEO

| | |
|----------------|--|
| Video Encoding | H.264 Base profile and MJPEG |
| Video Streams | Up to 2 simultaneous streams; the second stream is variable based on the setup of the primary stream |
| Frame Rate | Up to 30, 25, 24, 15, 12.5, 12, 10, 8, 7.5, 6, 5, 4, 3, 2, 1 (dependent upon coding, resolution, and stream configuration) |

| Available Resolutions | Resolution | | | | MJPEG | | H.264 Base Profile | |
|-----------------------|------------|-------|--------|--------------|-------------|----------------------|--------------------|----------------------|
| | MPx | Width | Height | Aspect Ratio | Maximum IPS | Recommended Bit Rate | Maximum IPS | Recommended Bit Rate |
| | 1.2 | 1280 | 960 | 4:3 | 20 ips | 9.8 Mbps | 8.0 ips | 2.4 Mbps |
| | 0.9 | 1280 | 720 | 16:9 | 30 ips | 10.0 Mbps | 12.5 ips | 2.5 Mbps |
| | 0.5 | 800 | 600 | 4:3 | 30 ips | 5.8 Mbps | 25 ips | 2.0 Mbps |
| | 0.3 | 640 | 480 | 4:3 | 30 ips | 3.7 Mbps | 30 ips | 1.6 Mbps |
| | 0.1 | 320 | 240 | 4:3 | 30 ips | 0.9 Mbps | 30 ips | 0.4 Mbps |

Additional Resolutions 640 x 512, 640 x 352, 480 x 368, 480 x 272, 320 x 256, and 320 x 176

Supported Protocols TCP/IP, UDP/IP (Unicast, Multicast IGMP), UPnP, DNS, DHCP, RTP, RTSP, NTP, IPv4, SNMPv2c/v3, QoS, HTTP, HTTPS, LDAP (client), SSH, SSL, SMTP, FTP, and 802.1x (EAP)

Users
Unicast Up to 20 simultaneous users depending on resolution settings (2 guaranteed streams)

Multicast Unlimited users H.264

Security Access Password protected

Software Interface Web browser view and setup

Pelco System Integration Endura 2.0 (or later) or Digital Sentry 7.3 (or later)

Open API Pelco API or ONVIF v1.02

Minimum System Requirements

| | |
|------------------------|---|
| Processor | Intel® Pentium® 4 microprocessor, 1.6 GHz |
| Operating System | Microsoft® Windows® XP, Windows Vista®, or Mac® OS X 10.4 (or later) |
| Memory | 512 MB RAM |
| Network Interface Card | 100 megabits, minimum |
| Monitor | Minimum of 1024 x 768 resolution, 16- or 32-bit pixel color resolution |
| Web Browser* | Internet Explorer® 7.0 (or later) or Mozilla® Firefox® 3.5 (or later); Internet Explorer® 8.0 (or later) is recommended for configuring analytics |
| Media Player† | Pelco Media Player or QuickTime® 7.6.5 for Windows XP, Windows Vista, or QuickTime 7.6.4 for Mac OS X 10.4 |

*Internet Explorer is not supported by Mac OS X 10.4.

†This product is not compatible with QuickTime version 7.6.4 for Windows XP or Windows Vista. If you have this version installed on your PC, you will need to upgrade to QuickTime version 7.6.5.

LENS

| Field of View in Degrees | | High Resolution Streams (>800 x 600) Aspect Ratio | | |
|--------------------------|------------|---|-----|-----|
| | | 16:9 | 4:3 | 5:4 |
| 2.8 mm | Horizontal | 100 | 100 | 94 |
| | Vertical | 54 | 74 | 74 |
| 10.0 mm | Horizontal | 27 | 27 | 25 |
| | Vertical | 16 | 20 | 20 |

TECHNICAL SPECIFICATIONS

MODEL

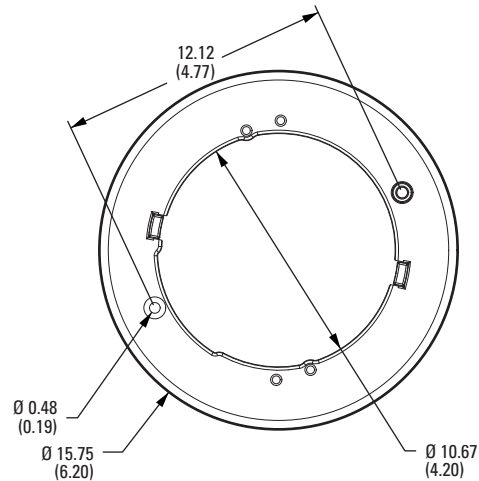
IM10LW10-1E

Sarix environmental, indoor/outdoor mini fixed dome IP camera with SureVision, 1.2 MPx, low-light, WDR, day/night, 2.8 ~ 10 mm varifocal megapixel lens, clear dome



NOTE: VALUES IN PARENTHESES ARE INCHES; ALL OTHERS ARE CENTIMETERS.

4S ELECTRICAL BOX (DEEP) ADAPTER PLATE (Available as an Accessory)



CERTIFICATIONS/RATINGS/PATENTS

- CE, Class A
- FCC, Class A
- UL/cUL Listed
- C-Tick
- KCC*
- Meets NEMA Type 4 and IP66 standards
- Patents are pending
- ONVIF 1.02

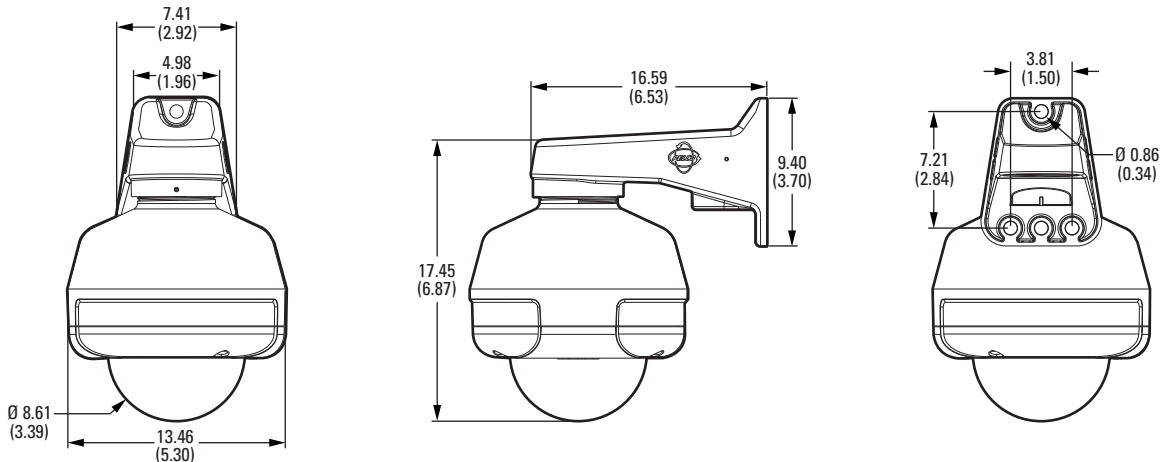
*As of the date of this publication, this certification is pending. Please consult the factory, our Web site at www.pelco.com, or the most recent B.O.S.S.® update for the current status of certifications.

OPTIONAL ACCESSORIES

| | |
|------------|--|
| LDIMVE-0 | Smoked bubble |
| IM-VESM | Surface mount ring |
| IM-VEPM | Pendant mount, light gray |
| WMVE-SR | Wall mount light, gray; for use with IM-VEPM pendant mount |
| IM-VECM | Corner mount, light gray |
| IM-VE4S | 4S electrical box (deep) adapter plate |
| POE20U560G | Single port PoE injector |
| PA101 | Pole adapter for use with WMVE-SR wall mount |
| ALM-1 | External alarm accessory |

WALL MOUNT

(Available as an Accessory)



Pelco by Schneider Electric

3500 Pelco Way, Clovis, California 93612-5699 United States

USA & Canada Tel (800) 289-9100 Fax (800) 289-9150

International Tel +1 (559) 292-1981 Fax +1 (559) 348-1120

www.pelco.com

Pelco, the Pelco logo, and other trademarks associated with Pelco products referred to in this publication are trademarks of Pelco, Inc. or its affiliates. All other product names and services are the property of their respective companies.

ONVIF and the ONVIF logo are trademarks of ONVIF Inc. Product specifications and availability are subject to change without notice. ©Copyright 2012, Pelco, Inc. All rights reserved.