

# Sarix® IM10LW-V IP Mini Dome with SureVision

## VANDAL-RESISTANT, INDOOR, 1.2 MPX, H.264, WDR, AND LOW-LIGHT PERFORMANCE

### Product Features

- Up to 1.2 Megapixel (MPx) Resolution (1280 x 960)
- Up to 30 Images per Second (ips) at 1280 x 720
- Advanced Low-Light Capability
- Sensitivity Down to 0.0013 lux
- Wide Dynamic Range with Anti-Bloom Technology
- Day/Night with Mechanical IR Cut Filter
- Compact Size Camera with 3-Inch Bubble
- Auto Focus Varifocal 2.8 ~ 10 mm Megapixel Lens
- Rugged, Indoor, Vandal-Resistant
- H.264 and MJPEG Compression
- Line-in and Line-out Audio with Built-in Microphone
- Power over Ethernet (PoE), IEEE 802.3af Class 2
- Up to 2 Simultaneous Video Streams
- Web Viewing
- Open IP Standards

The **Sarix® IM10LW-V** is a 1.2 MPx IP indoor fixed dome camera designed with SureVision technology. SureVision seamlessly delivers advanced low-light capability, wide dynamic range (WDR), and anti-bloom technology for industry-leading image quality. The network camera includes a mechanical IR cut filter and anti-bloom technology for increased sensitivity in low-light installations. Anti-bloom technology adjusts the image to create the best picture when a bright light source is introduced in a dark scene, such as the glaring head lights of nighttime traffic.

The **IM10LW-V** features a sturdy metal design that is both vandal- and tamper-resistant. The back box is plenum rated per 2008 NEC article 300.22(C)(2).

**Sarix** technology defines the next generation of video security imaging performance, delivering high definition (HD) resolution, advanced low-light capabilities, consistent color science, and fast processing power. The H.264 compression video files are considerably smaller making HD video more affordable.

### Fixed Dome Camera

The **IM10LW-V** camera is a compact indoor enclosure that is ready to install. The camera features an integrated autofocus varifocal 2.8 ~ 10 mm megapixel lens.

The **IM10LW-V** supports two simultaneous video streams. The two streams can be compressed in MJPEG and H.264 formats across several resolution configurations. The streams can be configured in a variety of frame rates, bit rates, and group of pictures (GOP) structures for additional bandwidth administration.



- Adaptive Motion Detection
- ONVIF v1.02 Conformant

### Built-In Analytics

The **Pelco Camera Sabotage** and **Adaptive Motion Detection** behaviors are standard features of the IM10LW-V. **Camera Sabotage** detects contrast changes in the field of view. An alarm is triggered if the lens is obstructed with spray paint, a cloth, or covered with a lens cap. **Adaptive Motion Detection** tracks objects that enter the field of view and triggers an alarm when an object enters a user-defined zone.

### Web Interface

The **IM10LW-V** uses a standard Web browser for powerful remote setup and administration.

### Window Blanking

Window blanking is used to conceal user-defined privacy areas that cannot be viewed by an operator. The **IM10LW-V** supports up to four blanked windows. A blanked area will appear on the screen as a solid gray window.

### Video Systemization

The **IM10LW-V** easily connects to Pelco IP and hybrid systems such as Endura® version 2.0 (or later), Digital Sentry® version 7.3 (or later), and Digital Sentry NVs. The camera also features open architecture connectivity to third-party software. Pelco offers an application programming interface (API) and software developer's kit (SDK) that enables third-party systems to interface with Pelco's IP cameras.



by Schneider Electric

International Standards  
Organization Registered Firm;  
ISO 9001 Quality System



C2998 / REVISED 3-21-12

# TECHNICAL SPECIFICATIONS

## GENERAL

Imaging Device	1/3-inch
Imager Type	CMOS
Imager Readout	Progressive scan
Maximum Resolution	1280 x 960
Signal-to-Noise Ratio	50 dB
Auto Iris Lens Type	DC drive
Electronic Shutter Range	1 ~ 1/77,000 sec
Wide Dynamic Range	120 dB*
White Balance Range	2,000° to 10,000°K
Sensitivity	f/1.2; 2,850°K; SNR >20 dB
Color (1x/33 ms)	0.10 lux
Color SENS (15x/500 ms)	0.005 lux
Mono (1x/33 ms)	0.05 lux
Mono SENS (15x/500 ms)	0.0013 lux
Dome Attenuation	
Clear	Zero light loss
Smoked	f/1.0 light loss
Construction	
Back Box	Alodine aluminum
Bubble	Polycarbonate plastic
Finish	Light gray powder coat
Weight	
Unit	0.6 kg (1.4 lb)
Shipping	1.0 kg (2.2 lb)
Available Languages	Chinese, English, French, German, Italian, Portuguese, Russian, Spanish, and Turkish

## ELECTRICAL

Port	RJ-45 connector for 100Base-TX Auto MDI/MDI-X
Cable Type	Cat5 or better for 100Base-TX
Power Input	PoE (IEEE 802.3af class 2)
Power Consumption†	3.9 W nominal
Service Port	External 3-connector, 2.5 mm provides NTSC/PAL video output
Accessory Port	Connects Pelco accessories
Audio	
Streaming	Bidirectional: full or half duplex
Input/Output	Line level/external microphone input; 600-ohm differential; 1 Vp-p maximum signal level; built-in microphone
Compression	G.711 PCM 8 bit, 8 kHz mono at 64 kbit/s

## MECHANICAL

Pan/Tilt Adjustment	Manual
Pan	355°
Tilt	180°
Rotate	220°

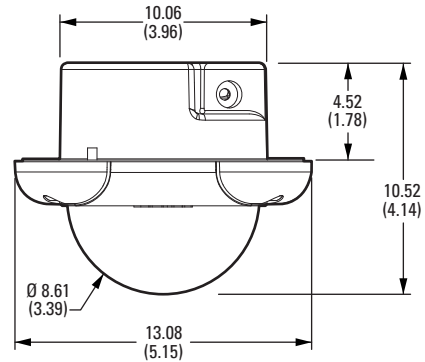
## ENVIRONMENTAL

Operating Temperature	0° to 50°C (32° to 122°F)
Operating Humidity	20% to 80%, noncondensing
Impact Resistance	IK10++ per EN62262 (50J)
Shock and Vibration	Meets EN50155 Category 1, Class B; IEC60068: 2-6 and 2-27



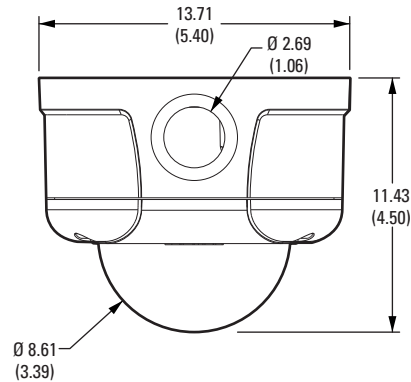
NOTE: VALUES IN PARENTHESES ARE INCHES; ALL OTHERS ARE CENTIMETERS.

### IN-CEILING



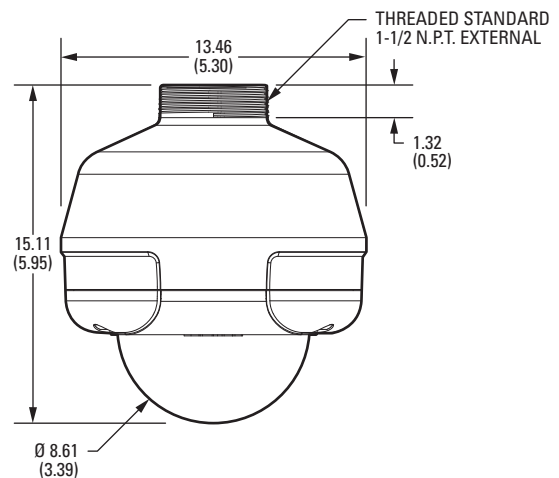
### SURFACE

(Mounting Ring is Available as an Accessory)



### PENDANT

(Mount is Available as an Accessory)



\*Sensor level; not inclusive of SureVision image processing.

†Does not include optional accessories connected to the accessory port.

# TECHNICAL SPECIFICATIONS

## VIDEO

Video Encoding	H.264 Base profile and MJPEG
Video Streams	Up to 2 simultaneous streams; the second stream is variable based on the setup of the primary stream
Frame Rate	Up to 30, 25, 24, 15, 12.5, 12, 10, 8, 7.5, 6, 5, 4, 3, 2, 1 (dependent upon coding, resolution, and stream configuration)

Available Resolutions	Resolution				MJPEG		H.264 Base Profile	
	MPx	Width	Height	Aspect Ratio	Maximum IPS	Recommended Bit Rate	Maximum IPS	Recommended Bit Rate
	1.3	1280	1024	5:4	20 ips	10.0 Mbps	8.0 ips	2.5 Mbps
	1.2	1280	960	4:3	20 ips	9.8 Mbps	8.0 ips	2.4 Mbps
	0.9	1280	720	16:9	30 ips	10.0 Mbps	12.5 ips	2.5 Mbps
	0.5	800	600	4:3	30 ips	5.8 Mbps	25 ips	2.0 Mbps
	0.3	640	480	4:3	30 ips	3.7 Mbps	30 ips	1.6 Mbps
	0.1	320	240	4:3	30 ips	0.9 Mbps	30 ips	0.4 Mbps

Additional Resolutions 640 x 512, 640 x 352, 480 x 368, 480 x 272, 320 x 256, and 320 x 176

Supported Protocols TCP/IP, UDP/IP (Unicast, Multicast IGMP), UPnP, DNS, DHCP, RTP, RTSP, NTP, IPv4, SNMPv2c/v3, QoS, HTTP, HTTPS, LDAP (client), SSH, SSL, SMTP, FTP, and 802.1x (EAP)

### Users

Unicast Up to 20 simultaneous users depending on resolution settings (2 guaranteed streams)

Multicast Unlimited users H.264

Security Access Password protected

Software Interface Web browser view and setup

Pelco System Integration Endura 2.0 (or later) or Digital Sentry 7.3 (or later)

Open API Pelco API or ONVIF v1.02

### Minimum System Requirements

Processor Intel® Pentium® 4 microprocessor, 1.6 GHz

Operating System Microsoft® Windows® XP, Windows Vista®, or Mac® OS X 10.4 (or later)

Memory 512 MB RAM

Network Interface Card 100 megabits, minimum

Monitor Minimum of 1024 x 768 resolution, 16- or 32-bit pixel color resolution

Web Browser\* Internet Explorer® 7.0 (or later) or Mozilla® Firefox® 3.5 (or later); Internet Explorer® 8.0 (or later) is recommended for configuring analytics

Media Player† Pelco Media Player or QuickTime® 7.6.5 for Windows XP, Windows Vista, or QuickTime 7.6.4 for Mac OS X 10.4

\*Internet Explorer is not supported by Mac OS X 10.4.

†This product is not compatible with QuickTime version 7.6.4 for Windows XP or Windows Vista. If you have this version installed on your PC, you will need to upgrade to QuickTime version 7.6.5.

## LENS

Field of View in Degrees		High Resolution Streams (>800 x 600) Aspect Ratio		
		16:9	4:3	5:4
2.8 mm	Horizontal	100	100	94
	Vertical	54	74	74
10.0 mm	Horizontal	27	27	25
	Vertical	16	20	20

# TECHNICAL SPECIFICATIONS

## MODEL

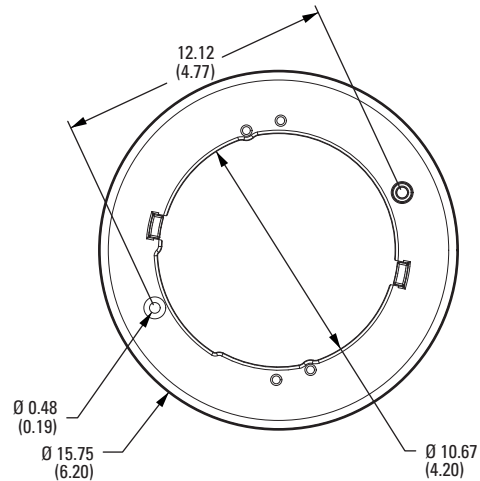
IM10LW10-1V

Sarix vandal-resistant, indoor fixed IP mini dome camera with SureVision, 1.2 MPx, low-light, WDR, day/night, 2.8 ~ 10 mm varifocal megapixel lens, clear dome



NOTE: VALUES IN PARENTHESES ARE INCHES; ALL OTHERS ARE CENTIMETERS.

## 4S ELECTRICAL BOX (DEEP) ADAPTER PLATE (Available as an Accessory)



## CERTIFICATIONS/RATINGS/PATENTS

- CE, Class A
- FCC, Class A
- UL/cUL Listed
- C-Tick
- KCC\*
- Meets NEMA Type 4 and IP56 standards
- Patents are pending
- ONVIF 1.02

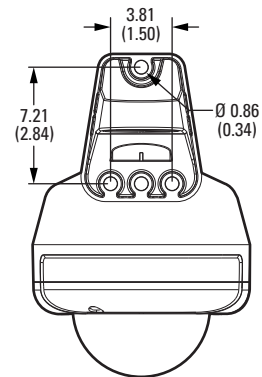
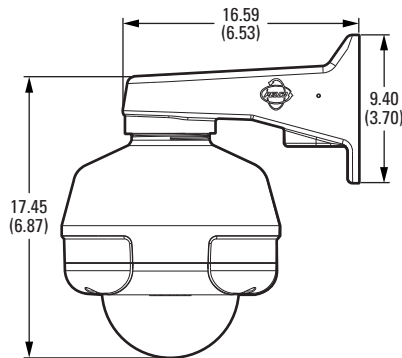
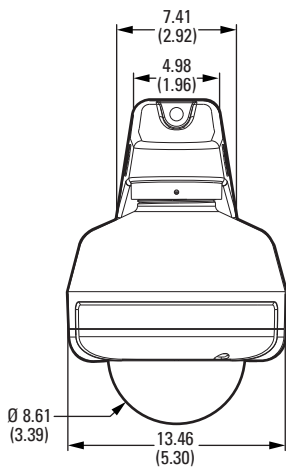
\*As of the date of this publication, this certification is pending. Please consult the factory, our Web site at [www.pelco.com](http://www.pelco.com), or the most recent B.O.S.S.® update for the current status of certifications.

## OPTIONAL ACCESSORIES

LDIMVE-0	Smoked bubble
IM-VESM	Surface mount ring
IM-VEPM	Pendant mount, light gray
WMVE-SR	Wall mount light, gray; for use with IM-VEPM pendant mount
IM-VECM	Corner mount, light gray
IM-VE4S	4S electrical box (deep) adapter plate
POE20U560G	Single port PoE injector
PA101	Pole adapter for use with WMVE-SR wall mount
ALM-1	External alarm accessory

## WALL MOUNT

(Available as an Accessory)



## Pelco by Schneider Electric

3500 Pelco Way, Clovis, California 93612-5699 United States

USA & Canada Tel (800) 289-9100 Fax (800) 289-9150

International Tel +1 (559) 292-1981 Fax +1 (559) 348-1120

[www.pelco.com](http://www.pelco.com)

Pelco, the Pelco logo, and other trademarks associated with Pelco products referred to in this publication are trademarks of Pelco, Inc. or its affiliates. All other product names and services are the property of their respective companies.

ONVIF and the ONVIF logo are trademarks of ONVIF Inc.

Product specifications and availability are subject to change without notice.

©Copyright 2012, Pelco, Inc. All rights reserved.