

IDS0 Series Sarix® IP Indoor Fixed Dome

0.5 MEGA PIXEL STANDARD DEFINITION INTEGRATED CAMERA

Product Features

- Up to SVGA Resolution (800 x 600)
- Up to 30 Images per Second (ips) at All Resolutions
- Optional CS-Mount Lenses
- Auto Back Focus for High Precision Focusing
- Easy, Quick, One-Handed Installation
- H.264, MPEG-4, and MJPEG Compression
- Day/Night Capability
- Sensitivity Down to 0.03 lux
- Power over Ethernet (IEEE 802.3af) or 24 VAC
- Video Setup Jack and Focus Button Accessible with Dome Closed
- Up to 2 Simultaneous Video Streams
- Electronic PTZ Through the Web Browser
- Local Storage (Micro SD) for Alarm Capture

The **Sarix® IDS0 Series** is a standard definition network indoor fixed dome camera designed with industry-leading image quality and high performance processing power. Designed to install quickly and easily, all of the post back-box installation and setup can be done with one hand.

Sarix technology defines the next generation of video security imaging performance, delivering high resolution, advanced low-light capabilities, consistent color science, and fast processing power. The H.264 compression video files are considerably smaller, making network video storage more affordable.

Fixed Dome Camera

The **IDS0 Series** can be ordered with or without lenses. All models include advance low-light technology and a camera in an indoor enclosure that is ready to install. The day/night model has a mechanical IR cut filter for increased sensitivity in low-light installations. These cameras accept a wide range of megapixel varifocal CS-mount lenses.

The **IDS0 Series** supports two simultaneous video streams. The two streams can be compressed in H.264, MPEG-4, and MJPEG formats across several resolution configurations. The streams can be configured in a variety of frame rates, bit rates, and group of pictures (GOP) structures for additional bandwidth administration.



- Open IP Standards
- Adaptive Motion Detection
- ONVIF v1.02 Conformant
- Audio Accessory Available

Built-In Analytics

The **Pelco Camera Sabotage** and **Adaptive Motion Detection** behaviors are standard features of the IDS0 Series. **Camera Sabotage** detects contrast changes in the field of view. An alarm is triggered if the lens is obstructed with spray paint, a cloth, or covered with a lens cap. **Adaptive Motion** Detection tracks objects that enter the field of view and triggers an alarm when an object enters a user-defined zone. Web Interface

The **IDS0 Series** uses a standard Web browser for powerful remote setup and administration.

Window Blanking

Window blanking is used to conceal user-defined privacy areas that cannot be viewed by an operator. The **IDS0 Series** supports up to four blanked windows. A blanked area will appear on the screen as a solid gray window.

Video Systemization

The **IDS0 Series** easily connects to Pelco IP and hybrid systems such as Endura® version 2.0 (or later) and Digital Sentry® version 7.3 (or later). The camera is also compatible with Digital Sentry NVs (DS NVs), a full-featured video management software, which is available as a free download at www.pelco.com. DS NVs includes four free Pelco IP licenses and allows for the management of video from up to 64 cameras.

The **IDS0 Series** features open architecture connectivity to third-party software. Pelco offers an application programming interface (API) and software developer's kit (SDK) for interfacing with Pelco's IP cameras.



by Schneider Electric

International Standards
Organization Registered Firm,
ISO 9001 Quality System



C2961 / REVISED 3-20-12

TECHNICAL SPECIFICATIONS

GENERAL

Imaging Device	1/3-inch (effective)
Imager Type	CMOS
Imager Readout	Progressive scan
Maximum Resolution	800 x 600
Signal-to-Noise Ratio	50 dB
Auto Iris Lens Type	DC drive
Electronic Shutter Range	1 ~ 1/100,000 sec
Wide Dynamic Range	60 dB
White Balance Range	2,000° to 10,000°K
Sensitivity	f/1.2; 2,850°K; SNR >24 dB
Color (1x/33 ms)	0.5 lux
Color SENS (15x/500 ms)	0.12 lux
Mono (1x/33 ms)	0.25 lux
Mono SENS (15x/500 ms)	0.03 lux
Dome Attenuation	
Clear	Zero light loss
Smoked	f/1.0 light loss
Construction	
Back Box	Cast aluminum
Trim Ring	Polycarbonate plastic
Bubble	Acrylic plastic
Finish	White
Weight (without lens)	
Unit	0.9 kg (2.0 lb)
Shipping	2.7 kg (6.0 lb)
Available Languages	Chinese, English, French, German, Italian, Portuguese, Russian, Spanish, and Turkish

ELECTRICAL

Port	RJ-45 connector for 100Base-TX Auto MDI/MDI-X
Cable Type	Cat5 or better for 100Base-TX
Power Input	18 to 34 VAC; 24 VAC nominal or PoE (IEEE 802.3af class 3)
Power Consumption	<6 W
Current Consumption	
PoE	<200 mA maximum
24 VAC	<295 mA nominal; <390 mA maximum
Local Storage	Micro SD
Alarm Input	10 VDC maximum, 5 mA maximum
Alarm Output	0 to 15 VDC maximum, 75 mA maximum
Service Port	External 3-connector, 2.5 mm provides NTSC/PAL video output
Accessory Port	Connects Pelco accessories

MECHANICAL

Lens Mount	CS mount, adjustable
Pan/Tilt Adjustment	
Pan	368°
Tilt	160° (10° to 170°)
Rotate	355°

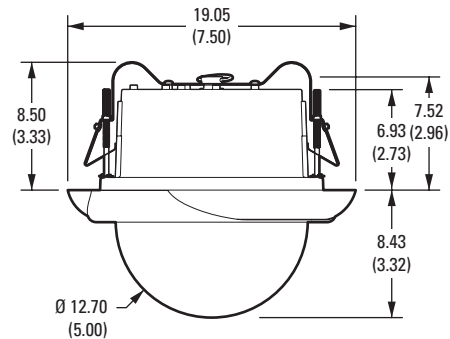
ENVIRONMENTAL

Operational Temperature	0° to 50°C (32° to 122°F)
Operational Humidity	20% to 80%, noncondensing

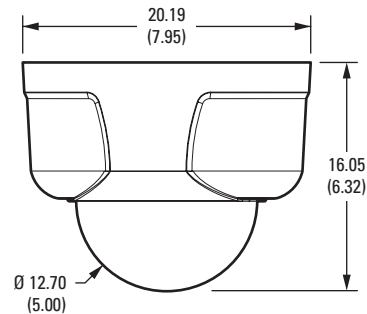


NOTE: VALUES IN PARENTHESES ARE INCHES; ALL OTHERS ARE CENTIMETERS.

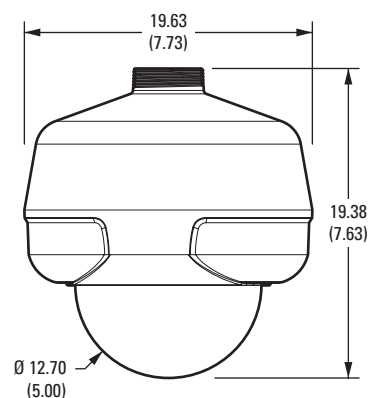
IN-CEILING



SURFACE MOUNT (Mounting Ring Included)



PENDANT (Mount Available as Accessory)



TECHNICAL SPECIFICATIONS

VIDEO

Video Encoding H.264 Base profile, MPEG-4, and MJPEG
 Video Streams Up to 2 simultaneous streams; the second stream is variable based on the setup of the primary stream
 Frame Rate Up to 30, 25, 24, 15, 12.5, 12, 10, 8, 7, 5, 6, 5, 4, 3, 2, 1 (dependent upon coding, resolution, and stream configuration)

Available Resolutions	Resolution				MJPEG		H.264 Base Profile		MPEG-4	
	MPx	Width	Height	Aspect Ratio	Maximum IPS	Recommended Bit Rate	Maximum IPS	Recommended Bit Rate	Maximum IPS	Recommended Bit Rate
	0.5	800	600	4:3	30 ips	5.8 Mbps	25 ips	2.0 Mbps	N/A	N/A
	0.3	640	480	4:3	30 ips	3.7 Mbps	30 ips	1.6 Mbps	30 ips	1.7 Mbps
	0.1	320	240	4:3	30 ips	0.9 Mbps	30 ips	0.4 Mbps	30 ips	0.4 Mbps

Additional Resolutions 640 x 512, 640 x 352, 480 x 368, 480 x 272, 320 x 256, 320 x 176, 4CIF (704 x 489 and 704 x 576), and CIF (352 x 240 and 352 x 288)

Supported Protocols TCP/IP, UDP/IP (Unicast, Multicast IGMP), UPnP, DNS, DHCP, RTP, RTSP, NTP, IPv4, SNMP v2c/v3, QoS, HTTP, HTTPS, LDAP (client), SSH, SSL, SMTP, FTP, and 802.1x (EAP)

Users

Unicast Up to 20 simultaneous users depending on resolution settings (2 guaranteed streams)
 Multicast Unlimited users H.264

Security Access Password protected

Software Interface Web browser view and setup

Pelco System Integration Endura 2.0 (or later) or Digital Sentry 7.3 (or later)

Open API Pelco API or ONVIF v1.02

Minimum System Requirements

Processor Intel® Pentium® 4 microprocessor, 1.6 GHz
 Operating System Microsoft® Windows® XP, Windows Vista®, or Mac® OS X 10.4 (or later)
 Memory 512 MB RAM
 Network Interface Card 100 megabits (or greater)
 Monitor Minimum of 1024 x 768 resolution, 16- or 32-bit pixel color resolution
 Web Browser* Internet Explorer® 7.0 (or later) or Mozilla® Firefox® 3.5 (or later); Internet Explorer® 8.0 (or later) is recommended for configuring analytics
 Media Player† Pelco Media Player or QuickTime® 7.6.5 for Windows XP, Windows Vista, or QuickTime 7.6.4 for Mac OS X 10.4

*Internet Explorer is not supported by Mac OS X 10.4.

†This product is not compatible with QuickTime version 7.6.4 for Windows XP or Windows Vista. If you have this version installed on your PC, you will need to upgrade to QuickTime version 7.6.5.

MODELS

MODELS

IDS0DN12-1	Sarix indoor fixed dome network camera, 0.5 MPx, day/night, 2.8 ~ 12 mm varifocal lens, clear dome
IDS0DN-0	Sarix indoor fixed dome network camera, 0.5 MPx, day/night, no lens, smoked dome
IDS0DN-1	Sarix indoor fixed dome network camera, 0.5 MPx, day/night, no lens, clear dome

CERTIFICATIONS/RATINGS/PATENTS

- CE, Class B
- FCC, Class B
- UL/cUL Listed
- C-Tick
- Patents Pending
- ONVIF 1.02

OPTIONAL ACCESSORIES

IX-SC	Service/monitor cable, 1.22 m (4 ft); compatible with standard BNC connectors
AUD-1	External audio accessory
ALM-1	External alarm accessory
POE20U560G	Single port PoE injector

RECOMMENDED MOUNTS

ID-P	Pendant mount
ID-DF5	DF5 Series adapter kit
ID-CB	Conduit box for in-ceiling installations
ID-PCB	61 x 61 cm (2 x 2 ft) ceiling panel with conduit box
SWM-WT	Wall mount for pendant
SWM-CAWT	Corner adapter for wall mount
SWM-PAWT	Pole adapter for wall mount

RECOMMENDED LENSES

13VD2.5-6	Varifocal lens, 2.5 ~ 6.0 mm, f/1.4 ~ 2.1
13VD2.8-12	Varifocal lens, 2.8 ~ 12.0 mm, f/1.4 ~ 2.9
13VD5-50	Varifocal lens, 5.0 ~ 50.0 mm, f/1.4 ~ 2.9

Field of View in Degrees		Aspect Ratio		
		16:9	4:3	5:4
2.5 mm	Horizontal	98	83	80
	Vertical	55	63	64
2.8 mm	Horizontal	89	74	71
	Vertical	48	55	56
5.0 mm	Horizontal	50	42	40
	Vertical	28	32	32
6.0 mm	Horizontal	42	36	34
	Vertical	24	27	28
12.0 mm	Horizontal	21	18	17
	Vertical	12	13	14
50.0 mm	Horizontal	5	4	4
	Vertical	3	3	3