

ID10 Series Sarix® IP Indoor Fixed Dome

1.3 MEGAPIXEL HIGH DEFINITION INTEGRATED CAMERA

Product Features

- Up to 1.3 Megapixel Resolution (1280 x 1024)
- Up to 30 Images per Second (ips) at 1280 x 720
- Optional CS-Mount Lenses
- Auto Back Focus for High Precision Focusing
- Easy, Quick, One-Handed Installation
- H.264 and MJPEG Compression
- Color and Day/Night Capability
- Sensitivity Down to 0.03 lux
- Power over Ethernet (IEEE 802.3af) or 24 VAC
- Video Setup Jack and Focus Button Accessible with Dome Closed
- Up to 2 Simultaneous Video Streams
- Electronic PTZ Through the Web Browser
- Local Storage (Micro SD) for Alarm Capture

The **Sarix® ID10 Series** is a 1.3 megapixel (MPx) network indoor fixed dome camera designed with industry-leading image quality and high performance processing power. Designed to install quickly and easily, all of the post back-box installation and setup can be done with one hand.

Sarix technology defines the next generation of video security imaging performance, delivering high definition (HD) resolution, advanced low-light capabilities, consistent color science, and fast processing power. The H.264 compression video files are considerably smaller, making HD video more affordable.

Fixed Dome Camera

The **ID10 Series** can be ordered in either color or day/night models with or without lenses installed. All models include advance low-light technology and a camera in an indoor enclosure that is ready to install. The day/night model has a mechanical IR cut filter for increased sensitivity in low-light installations. These cameras accept a wide range of megapixel varifocal CS-mount lenses.

The **ID10 Series** supports two simultaneous video streams. The two streams can be compressed in MJPEG and H.264 formats across several resolution configurations. The streams can be configured in a variety of frame rates, bit rates, and group of pictures (GOP) structures for additional bandwidth administration.



- Open IP Standards
- Motion Detection
- Audio Accessory Available

Built-In Analytics

The **Pelco Camera Sabotage** behavior is a standard feature of the ID10 Series. This behavior detects contrast changes in the field of view. An alarm is triggered if the lens is obstructed with spray paint, a cloth, or covered with a lens cap. Any unauthorized repositioning of the camera also triggers an alarm.

Web Interface

The **ID10 Series** uses a standard Web browser for powerful remote setup and administration.

Window Blanking

Window blanking is used to conceal user-defined privacy areas that cannot be viewed by an operator. The **ID10 Series** supports up to four blanked windows. A blanked area will appear on the screen as a solid gray window.

Video Systemization

The **ID10 Series** easily connects to Pelco IP and hybrid systems such as Endura® version 2.0 (or later) and Digital Sentry® version 4.3 (or later). The camera is also compatible with Digital Sentry NVs (DS NVs), a full-featured video management software, which is available as a free download at www.pelco.com. DS NVs includes four free Pelco IP licenses and allows for the management of video from up to 64 cameras.

The **ID10 Series** features open architecture connectivity to third-party software. Pelco offers an application programming interface (API) for interfacing with Pelco's network cameras.



by Schneider Electric

International Standards
Organization Registered Firm,
ISO 9001 Quality System



C2962 / REVISED 7-6-10

TECHNICAL SPECIFICATIONS

GENERAL

Imaging Device	1/3-inch (effective)
Imager Type	CMOS
Imager Readout	Progressive scan
Maximum Resolution	1280 x 1024
Signal-to-Noise Ratio	50 dB
Auto Iris Lens Type	DC drive
Electronic Shutter Range	1 ~ 1/100,000 sec
Wide Dynamic Range	60 dB
White Balance Range	2,000° to 10,000°K
Sensitivity	f/1.2; 2,850°K; SNR >24 dB
Color (1x/33 ms)	0.5 lux
Color SENS (15x/500 ms)	0.12 lux
Mono (1x/33 ms)	0.25 lux
Mono SENS (15x/500 ms)	0.03 lux
Dome Attenuation	
Clear	Zero light loss
Smoked	f/1.0 light loss
Construction	
Back Box	Cast aluminum
Trim Ring	Polycarbonate plastic
Bubble	Acrylic plastic
Finish	White
Weight (without lens)	
Unit	0.9 kg (2.0 lb)
Shipping	2.7 kg (6.0 lb)
Available Languages	Chinese, English, French, German, Italian, Portuguese, Russian, Spanish, and Turkish

ELECTRICAL

Port	RJ-45 connector for 100Base-TX Auto MDI/MDI-X
Cable Type	Cat5 or better for 100Base-TX
Power Input	18 to 34 VAC; 24 VAC nominal or PoE (IEEE 802.3af class 3)
Power Consumption	<6 W
Current Consumption	
PoE	<200 mA maximum <295 mA nominal; <390 mA maximum
Local Storage	Micro SD
Alarm Input	10 VDC maximum, 5 mA maximum
Alarm Output	0 to 15 VDC maximum, 75 mA maximum
Service Port	External 3-connector, 2.5 mm provides NTSC/PAL video output
Accessory Port	Connects Pelco accessories

MECHANICAL

Lens Mount	CS mount, adjustable
Pan/Tilt Adjustment	
Pan	368°
Tilt	160° (10° to 170°)
Rotate	355°

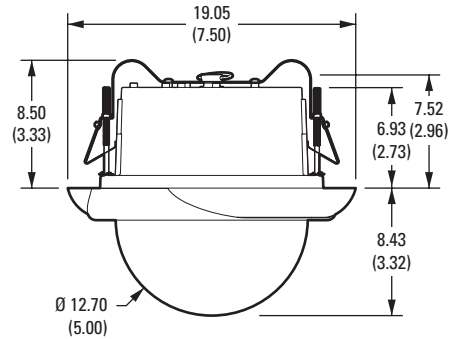
ENVIRONMENTAL

Operational Temperature	0° to 50°C (32° to 122°F)
Operational Humidity	20% to 80%, noncondensing



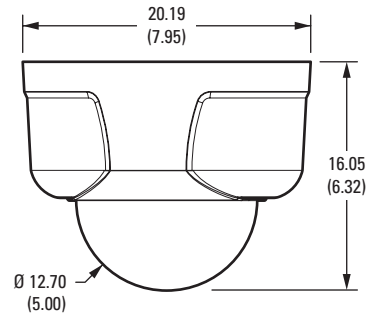
NOTE: VALUES IN PARENTHESES ARE INCHES; ALL OTHERS ARE CENTIMETERS.

IN-CEILING



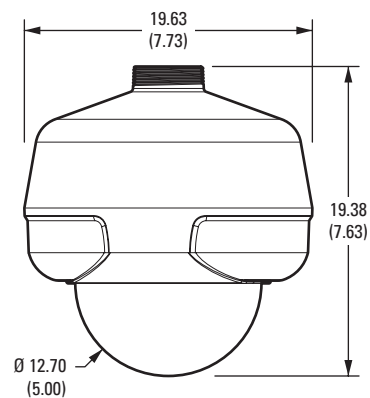
SURFACE MOUNT

(Mounting Ring Included)



PENDANT

(Mount Available as Accessory)



TECHNICAL SPECIFICATIONS

VIDEO

Video Encoding	H.264 Base profile and MJPEG
Video Streams	Up to 2 simultaneous streams; the second stream is variable based on the setup of the primary stream
Frame Rate	Up to 30, 25, 24, 15, 12.5, 12, 10, 8, 7, 5, 6, 5, 4, 3, 2, 1 (dependent upon coding, resolution, and stream configuration)

	Resolution			MJPEG		H.264 Base Profile		
	MPx	Width	Height	Aspect Ratio	Maximum IPS	Recommended Bit Rate	Maximum IPS	Recommended Bit Rate
	1.3	1280	1024	5:4	20.0 ips	10.0 Mbps	8.0 ips	2.5 Mbps
	1.2	1280	960	4:3	20.0 ips	9.8 Mbps	8.0 ips	2.4 Mbps
	0.9	1280	720	16:9	30.0 ips	10.0 Mbps	12.5 ips	2.5 Mbps
	0.5	800	600	4:3	30.0 ips	5.8 Mbps	25.0 ips	2.0 Mbps
	0.3	640	480	4:3	30.0 ips	3.7 Mbps	30.0 ips	1.6 Mbps
	0.1	320	240	4:3	30.0 ips	0.9 Mbps	30.0 ips	0.4 Mbps

Additional Resolutions 640 x 512, 640 x 352, 480 x 368, 480 x 272, 320 x 256, and 320 x 176

Supported Protocols TCP/IP, UDP/IP (Unicast, Multicast IGMP), UPnP, DNS, DHCP, RTP, RTSP, NTP, IPv4, SNMP v2c/v3, QoS, HTTP, HTTPS, LDAP (client), SSH, SSL, SMTP, FTP, and 802.1x (EAP)

Users

Unicast Up to 20 simultaneous users depending on resolution settings (2 guaranteed streams)

Multicast Unlimited users H.264

Security Access Password protected

Software Interface Web browser view and setup

Pelco System Integration Endura 2.0 (or later) or Digital Sentry 4.3 (or later)

Open IP Integration Pelco IP camera API

Min. System Requirements

Processor Pentium® 4 microprocessor, 1.6 GHz

Operating System Microsoft® Windows® XP, Windows Vista®, or Mac® OS X 10.4 (or later)

Memory 512 MB RAM

Network Interface Card 100 megabits (or greater)

Monitor Minimum of 1024 x 768 resolution, 16- or 32-bit pixel color resolution

Web Browser* Internet Explorer® 7.0 (or later) or Mozilla® Firefox® 3.5 (or later); Internet Explorer® 8.0 (or later) is recommended for configuring analytics

Media Player† Pelco Media Player or QuickTime® 7.6.5 for Windows XP, Windows Vista, or QuickTime 7.6.4 for Mac OS X 10.4

*Internet Explorer is not supported by Mac OS X 10.4.

†This product is not compatible with QuickTime version 7.6.4 for Windows XP or Windows Vista. If you have this version installed on your PC, you will need to upgrade to QuickTime version 7.6.5.

MODELS

MODELS

ID10C8-1	Sarix indoor fixed dome network camera, 1.3 MPx, color, 2.8 ~ 8 mm varifocal megapixel lens, clear dome
ID10DN8-1	Sarix indoor fixed dome network camera, 1.3 MPx, day/night, 2.8 ~ 8 mm varifocal megapixel lens, clear dome
ID10C-0	Sarix indoor fixed dome network camera, 1.3 MPx, color, no lens, smoked dome
ID10C-1	Sarix indoor fixed dome network camera, 1.3 MPx, color, no lens, clear dome
ID10DN-0	Sarix indoor fixed dome network camera, 1.3 MPx, day/night, no lens, smoked dome
ID10DN-1	Sarix indoor fixed dome network camera, 1.3 MPx, day/night, no lens, clear dome

CERTIFICATIONS/RATINGS/PATENTS

- CE, Class B
- FCC, Class B
- UL/cUL Listed
- C-Tick
- Patents Pending

OPTIONAL ACCESSORIES

IX-SC	Service/monitor cable, 1.22 cm (4 ft); compatible with standard BNC connectors
AUD-1	External audio accessory
ALM-1	External alarm accessory
POE20U560G	Single port PoE injector

RECOMMENDED MOUNTS

ID-P	Pendant mount
ID-DF5	DF5 Series adapter kit
ID-CB	Conduit box for in-ceiling installations
ID-PCB	61 x 61 cm (2 x 2 ft) ceiling panel with conduit box
SWM-WT	Wall mount for pendant
SWM-CAWT	Corner adapter for wall mount
SWM-PAWT	Pole adapter for wall mount

RECOMMENDED LENSES

13M2.2-6	Megapixel lens, varifocal, 2.2 ~ 6.0 mm, f/1.3 ~ 2.0
13M2.8-8	Megapixel lens, varifocal, 2.8 ~ 8.0 mm, f/1.2 ~ 1.9
13M2.8-12	Megapixel lens, varifocal, 2.8 ~ 12.0 mm, f/1.4 ~ 2.7
13M15-50	Megapixel lens, varifocal, 15.0 ~ 50.0 mm, f/1.5 ~ 2.1

Pelco lenses have been designed and tested to deliver optimal image quality for the ID10 Series megapixel camera. The use of standard definition lenses on the ID10 Series will limit the resolution of the camera, creating poor image quality.

Field of View in Degrees		Aspect Ratio		
		16:9	4:3	5:4
2.2 mm	Horizontal	109	109	109
	Vertical	63	83	89
2.8 mm	Horizontal	89	89	89
	Vertical	48	66	70
6.0 mm	Horizontal	42	42	42
	Vertical	24	32	34
8.0 mm	Horizontal	32	32	32
	Vertical	18	24	25
12.0 mm	Horizontal	21	21	21
	Vertical	12	16	17
15.0 mm	Horizontal	16	16	16
	Vertical	9	12	13
50.0 mm	Horizontal	5	5	5
	Vertical	3	4	4

Note: For 800 x 600 (or lower) resolutions in 4:3 or 5:4 aspect ratios, the field of view is smaller than listed above. Refer to the Installation/Operation manual for details.

Pelco by Schneider Electric

3500 Pelco Way, Clovis, California 93612-5699 United States

USA & Canada Tel (800) 289-9100 Fax (800) 289-9150

International Tel +1 (559) 292-1981 Fax +1 (559) 348-1120

www.pelco.com

Pelco, the Pelco logo, and other trademarks associated with Pelco products referred to in this publication are trademarks of Pelco, Inc. or its affiliates. All other product names and services are the property of their respective companies. Product specifications and availability are subject to change without notice.

©Copyright 2011, Pelco, Inc. All rights reserved.