

Ikegami

ICD-520_(NTSC) ICD-520P_(PAL)

High Resolution Wide Dynamic Range Camera



High Resolution	High Sensitivity	High Picture Quality
700TVL	0.0007 lx / F1.2	52dB

FEATURES

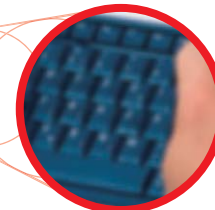
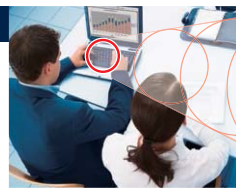


High Resolution Wide Dynamic Range camera designed by broadcast industry specialists to meet the stringent demands of today's CCTV Professional.

The newest installation in our history of elite quality cameras, Ikegami is proud to announce the ICD-520/P. This camera now comes with higher resolution- an impressive 700TVL- plus the added benefit of Wide Dynamic Range function. The result is higher sensitivity in lower light levels (when the camera will automatically switch to a Monochrome output for improved low light performance).

0.0007 lx, 700TVL High Resolution Pictures

The ICD-520/P achieves a horizontal resolution of 700 TVL with 480,000(NTSC) /570,000(PAL) pixels, enabling reproduction of exceptionally clear and detailed images in ultra-low light conditions. The ICD-520/P performs at levels as low as 0.0007 lx minimum scene illumination performance (in monochrome mode)!



Conventional Model



ICD-520/P

52dB, High Picture Quality and Low Smear and Noise

The improved DSP circuit permits 52dB Signal-to-Noise ratio and Low Smear(-105dB). By the factor, a clear image can be captured even under strong light.



Conventional Model



ICD-520/P

Wide Dynamic Range (WDR)

The WDR function provides clear and high quality pictures in high contrast environments by adjusting exposure- resulting in a corrected image with clear details results. The wide dynamic range is 5 levels selectable.

Auto White Balance

The ICD-520/P features automatic tracking white balance control (ATW) and automatic white balance control (AWC). The result is better color tracking in difficult lighting conditions (such as sodium light).

Monitor Selection Switch

The ICD-520/P features a monitor selection switch for LCD or CRT viewing.

Focus EZ Function

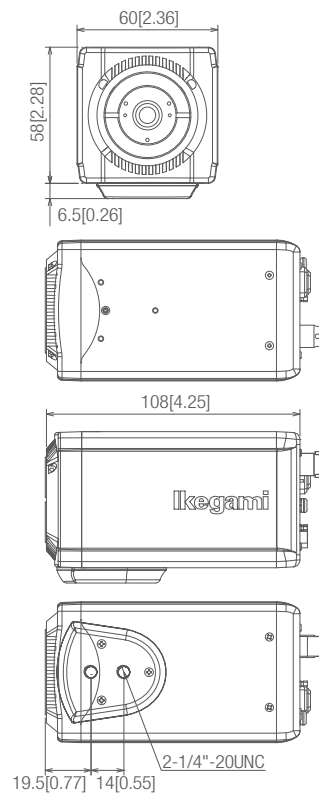
A button located at the back of the ICD-520/P sets the auto-iris lens aperture open, even in broad daylight. This allows the installer to set an accurate focus with the best depth of field. The EZ focus button displays an adjustment bar that makes it easy to achieve perfect focus.

ICD-520_(NTSC) / ICD-520P_(PAL)

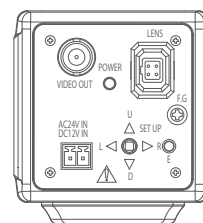
SPECIFICATIONS

Image Sensor	1/3" CCD
Effective Pixels	NTSC : Approx.480,000 pixels, Effective 976(H) x 494(V) PAL : Approx.570,000 pixels, Effective 976(H) x 582(V)
Scanning System	NTSC : 525 lines at 59.94Hz, 2:1 interlace PAL : 625 lines at 50Hz, 2:1 interlace
Synchronization System	Internal Crystal Lock/Line Lock
Video Output	VBS 1.0Vp-p/75Ω
Horizontal Resolution	700 TV Lines or better (High Resolution mode, by Rated Illumination)
S/N Ratio	52dB or better (p-p/rms)
Minimum Illumination	In color mode : 0.22lx/F1.2 [50IRE] (Electronic Sensitivity Up OFF) In color mode : 0.007lx/F1.2 [50IRE] (Electronic Sensitivity Up ON 32x) In monochrome mode : 0.022lx/F1.2 [25IRE] (Electronic Sensitivity Up OFF) In monochrome mode : 0.0007lx/F1.2 [25IRE] (Electronic Sensitivity Up ON 32x)
Day/Night Function	Built in, True Day/Night, Auto/Manual selectable
Wide Dynamic Range	Built in, LOW/MIDLOW/MIDDLE/MIDHIGH/HIGH selectable
AGC (Automatic Gain Control)	OFF/LOW/MIDLOW/MIDDLE/MIDHIGH/HIGH selectable
Electronic Sensitivity Up	Built-in, ON (AUTO)/OFF selectable(Up to 32 times)
White Balance	ATW(Automatic Tracking White Balance)/AWC(Automatic White Balance Control)/MANUAL selectable
Detail Correction	Built-in (Sharpness)
Digital Noise Reduction	Built-in, ON/OFF selectable (DNR Function)
AES(Automatic Electronic Shutter)	Built-in
Privacy Masking	Built-in (Maximum 15 zones)
Flip Function	Built-in, OFF/V-FLIP/H-FLIP/HV-FLIP selectable
Motion Detection	Built-in, ON/OFF selectable
Digital Zoom	Built-in, ON/OFF selectable(Up to 32 times)
Focus EZ	Built-in
Stabilizer Function	Built-in
Monitor Output Selection	CRT/LCD selectable
Camera ID	Up to 52 characters (alphanumeric and symbols)
Lens Mount	CS Mount (C mount adapter can be used)
Flange Back Adjustment Mechanism	Built-in
Power Requirement	NTSC : AC24V±10%, 60Hz / DC12(10.5~15V) PAL : AC230V±15%, 50Hz/AC24V±10%, 50Hz / DC12(10.5~15V)
Power Consumption	ICD-520 : AC24V / DC12V : 3W approx. ICD-520P : AC24V / DC12V : 3W approx. AC230V : 3.3W approx.
Operating Ambient Temperature	-10°C ~ +50°C (14.0°F~122°F)
Operating Ambient Humidity	30%~90% RH (non-condensing)
Camera Mount	1/4" -20UNC (Bottom or Top)
External Dimensions	W60 X H58 X D108mm [W2.36 x H 2.28x D 4.26 inches] (without projection)
Weight	ICD-520 : AC24V / DC12V 310g(0.68lbs) approx. ICD-520P : AC24V / DC12V 310g(0.68lbs) approx. ICD-520P : AC230V 490g(1.08lbs) approx.
Input/ Output Connectors	VIDEO OUT -- BNC AC24V / DC12V Input -- 2P
Standard Accessories	Instruction Manual

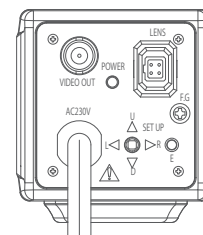
DIMENSIONS (Unit: mm[inch])



AC24V / DC12V



AC230V



Design and specifications are subject to change without notice.



U259A133-IB

Ikegami IKEGAMI ELECTRONICS (U.S.A.), INC.

■ URL <http://www.ikegami.com>

HEADQUARTERS 37 BROOK AVENUE, MAYWOOD, NJ 07607
Phone:(201) 368-9171 Fax:(201) 569-1626

WESTCOAST OFFICE Phone:(310) 297-1900

SOUTHWEST OFFICE Phone:(972) 869-2363

MIDWEST OFFICE Phone:(708) 460-1451

SOUTHEAST OFFICE Phone:(954) 735-2203