



High Resolution and High Performance True Day/Night Cameras

ICD-809P[PAL]/809[NTSC]
ICD-879P[PAL]/879[NTSC]
REV.B

Model ICD-809P/809 and model ICD-879P/879 are the latest addition to Ikegami's renowned stable of high sensitivity TV cameras which allow wider light spectrum coverage to the near infra-red spectrum to provide clear picture reproduction in very low light conditions. The ICD-809/879 series has a true Day/Night change-over function with well-designed electronically controlled moving filter system.

This latest model, also, comes equipped with an improved CCD sensor providing higher resolution of amazing 540TVL horizontal resolution in colour mode and 570TVL horizontal resolution in monochrome mode, and the ICD-809/879 series inherits various user friendly facilities such as local and RS-485 remote camera setup and adjustment capability, intelligent sensing area spot management BLC function, various modes selection in Auto White balancing including wider spectrum coverage ATW-1 and ATW-2, different modes of AGC control, Privacy Masking Facility, CRT or LCD display optimum monitoring control and electronic shutter function, and these are enhanced by low noise, improved -126dB(ICD-809P/809:-115dB) low vertical smear suppression performance. These variable and precise functions make the ICD-809/879 series the ideal tool for single camera to large scale integrated system applications with I-LAN* RS-485 remote control giving sophisticated visual information management.

* I-LAN; Ikegami remote and telemetry control software over RS-485 network link.

True Day/Night Function

Well designed moving IR cut filter system, inter-connected with the Automatic Gain Control system makes the ICD-809/879 series the ideal Day and Night TV camera, capable of providing a high quality crisp picture reproduction with 570TVL horizontal resolution under ultra low light conditions down to an amazing 0.011lux (ICD-809 series:0.015lux) minimum scene illumination performance.



Colour mode



Monochrome mode

Privacy Screen Masking

The ICD-809/879 series comes with an 8 zone privacy masking function, managed by the rear control panel locally, or remotely via I-LAN over RS-485 link. Each zone has a minimum 8 pixel square sized area. This provides pin-point accuracy to cover sensitive areas that need to remain unseen.

Remote and Local Setup Functions

Camera ID numbering, Day/Night Change-over and thresh hold control, Auto White Balance, Detail Correction Management, Sync System Selection, Electronic Sensitivity and Shutter controls, BLC On Off and Spot area setting, etc.

All these are controllable, either locally via the camera rear panel switch array, or remotely via I-LAN software over RS-485 link. This makes the ICD-809/879 series the ideal tool for integrated system applications where high quality visual information management is required.

Focus EZ Function

Just press the button located at the back of the unit, and the auto iris lens aperture will be kept open, even in broad daylight. This ensures that an accurate focus can be set with the best depth of field.

Intelligent BLC-Back Light Compensation

Well-designed back light compensation facility allows the user to designate two desired areas in a screen to provide compensation for strong back light conditions, resulting in an optimum balanced clear picture reproduction.

High Sensitivity and Low Smear and Noise

Improved interline transfer CCD performance allows a much wider sensitivity from the visible to the near infra-red spectrums to provide better picture reproduction under low light conditions.

The improved DSP, digital signal processing circuit permits good Signal-to-Noise ratio with good performance of -115dB(ICD-809P/809)/-126dB(ICD-879P/879) vertical pixel overload protection to suppress the vertical smear that occurs with intense strong light sources.



Conventional type camera



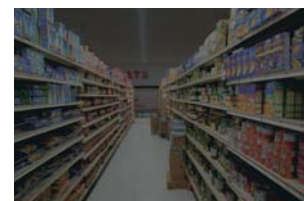
ICD-809/879 series

Electronic Sensitivity Control (ICD-879P/879 only)

As the ICD-879P/879 is equipped with an electronic sensitivity control function of up to 32 times, it covers the scene which requires high sensitivity.



Conventional type camera



ICD-879P/879

High Resolution and High Performance True Day/Night Cameras

ICD-809P_[PAL]/809_[NTSC] ICD-879P_[PAL]/879_[NTSC]

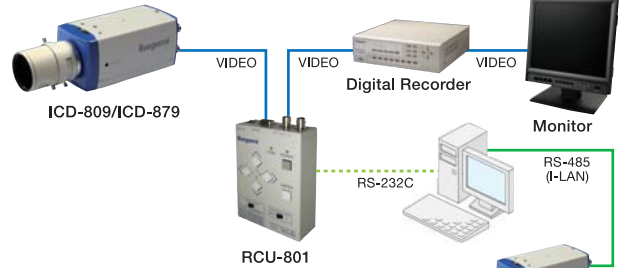
REV.B

■ Specifications

Image Sensor	1/3" Interline Transfer CCD [ICD-809P/809] 1/2" Interline Transfer CCD [ICD-879P/879]																																		
Effective Pixels	PAL: 752(H) X 582(V), 440,000 pixels approx. NTSC: 768(H) X 494(V), 380,000 pixels approx. Internal: Crystal lock or Line-Lock																																		
Sync System	External: GENLOCK *PAL version is internal sync system only. NTSC version only GENLOCK Input VBS or VS 1.0Vp-p / 75ohm (High impedance Switchable) BBS 0.45Vp-p / 75ohm (High impedance Switchable)																																		
Video Output	VBS or VS 1.0Vp-p																																		
Horizontal Resolution	Colour: 540TV Lines, Monochrome: 570 TV Lines																																		
S/N Ratio	52dB/rms or better																																		
Minimum Illumination (Hyper AGC ON)	<table border="1"> <thead> <tr> <th rowspan="2"></th> <th colspan="2">ICD-809P/809</th> <th colspan="2">ICD-879P/879</th> </tr> <tr> <th>F1.4</th> <th>F1.2</th> <th>F1.4</th> <th>F1.2</th> </tr> </thead> <tbody> <tr> <td>Colour [50IRE]</td> <td>0.2 lux</td> <td>0.15 lux</td> <td>0.15 lux</td> <td>0.11 lux</td> </tr> <tr> <td>Monochrome [25IRE]</td> <td>0.02 lux</td> <td>0.015 lux</td> <td>0.015 lux</td> <td>0.011 lux</td> </tr> <tr> <td colspan="5">Electronic Sensitivity Control ON, Max 32 times multiplication</td> </tr> <tr> <td>Colour [50IRE]</td> <td>-</td> <td>-</td> <td>0.005 lux</td> <td>0.0037 lux</td> </tr> <tr> <td>Monochrome [25IRE]</td> <td>-</td> <td>-</td> <td>0.0005 lux</td> <td>0.00037 lux</td> </tr> </tbody> </table>		ICD-809P/809		ICD-879P/879		F1.4	F1.2	F1.4	F1.2	Colour [50IRE]	0.2 lux	0.15 lux	0.15 lux	0.11 lux	Monochrome [25IRE]	0.02 lux	0.015 lux	0.015 lux	0.011 lux	Electronic Sensitivity Control ON, Max 32 times multiplication					Colour [50IRE]	-	-	0.005 lux	0.0037 lux	Monochrome [25IRE]	-	-	0.0005 lux	0.00037 lux
	ICD-809P/809		ICD-879P/879																																
	F1.4	F1.2	F1.4	F1.2																															
Colour [50IRE]	0.2 lux	0.15 lux	0.15 lux	0.11 lux																															
Monochrome [25IRE]	0.02 lux	0.015 lux	0.015 lux	0.011 lux																															
Electronic Sensitivity Control ON, Max 32 times multiplication																																			
Colour [50IRE]	-	-	0.005 lux	0.0037 lux																															
Monochrome [25IRE]	-	-	0.0005 lux	0.00037 lux																															
Day/Night Change Over	AUTO/REMOTE/MANUAL Selectable																																		
AGC	ON (AGC, Hyper AGC) / OFF (LOW,MID,HIGH) Switchable																																		
White Balance	ATW1/ATW2/AWC/Manual Selectable, Adjustable																																		
Detail Correction	Built-in (Level Adjustable)																																		
Back Light Compensation	Built-in, ON/OFF/SPOT Switchable																																		
Automatic Electronic Shutter	Built-in, ON/OFF Switchable AES Range PAL — 1:2000 NTSC — 1:1600 (Unable to work when power frequency does not meet vertical frequency of the camera)																																		
Electronic Sensitivity Control	Built-in, Max. 32 times multiplication (ICD-879P/879 only)																																		
Manual Electronic Shutter	Built-in OFF, 1/60(1/100:NTSC), 1/125, 1/500, 1/1000, 1/2000, 1/4000, 1/10000, VARIABLE VARIABLE: 1/50 (1/60:NTSC) ~ 1/100000																																		
Auto Iris Function	Video Iris / DC Iris Switchable																																		
Privacy Masking Function	Built-in																																		
Camera ID	Built-in 1 line, 16 characters																																		
RS-485 Communication	Built-in																																		
Monitor Output Selection	Built-in for either CRT or LCD type																																		
Digital Zoom	Built-in, Max. 4 times (ICD-879P/879 only) [factory option]																																		
Video Level Adjustment	Built-in level adjustable																																		
Mirror Image Function	Built-in																																		
Gamma Selection	Built-in 0.45, 0.7, 1.0 selectable																																		
Focus EZ	Built-in																																		
Lens Mount	CS-mount (C-mount Adapter can be used)																																		
Lens Flange Back	Built-in (Adjustment mechanism)																																		
Power Requirement	AC230V ±15% 50Hz [PAL] AC24V ±10% 50Hz / DC12V(10.5V~28V) [PAL] AC24V ±10% 60Hz / DC12V(10.5V~28V) [NTSC]																																		
Power Consumption	<table border="1"> <thead> <tr> <th></th> <th>AC230V</th> <th>AC24V</th> <th>DC12V</th> </tr> </thead> <tbody> <tr> <td>ICD-809P/809</td> <td>4.3W or less</td> <td>4.2W or less</td> <td>4.3W or less</td> </tr> <tr> <td>ICD-879P/879</td> <td>5.3W or less</td> <td>5.3W or less</td> <td>5.3W or less</td> </tr> </tbody> </table>		AC230V	AC24V	DC12V	ICD-809P/809	4.3W or less	4.2W or less	4.3W or less	ICD-879P/879	5.3W or less	5.3W or less	5.3W or less																						
	AC230V	AC24V	DC12V																																
ICD-809P/809	4.3W or less	4.2W or less	4.3W or less																																
ICD-879P/879	5.3W or less	5.3W or less	5.3W or less																																
Operating Temperature	-10°C ~ +50°C																																		
Camera Mount	1/4"-20UNC x 2 (Upper bottom select)																																		
Dimensions	W62 x H55 x D122mm																																		
Weight	ICD-809P/809 — AC230V : 660g, AC24V/DC12V : 420g ICD-879P/879 — AC230V : 700g, AC24V/DC12V : 500g																																		
Input/Output Connector	Video output : BNC Lens Iris Control : 4P (plug:E4-191J-150 type) AC24V/DC12V Input : 2P push-in type terminal RS-485 Input/Output : 5P terminal GENLOCK Input: BNC (NTSC version only)																																		
Accessories	Instruction Manual C-mount Adapter Auto Iris Connector (E4-191J-150 or equivalent, PAL Only)																																		

Remote Setup Function

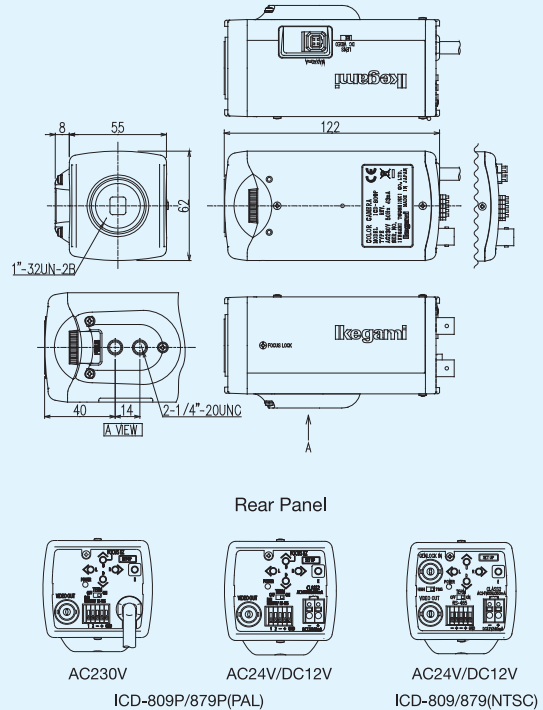
Remote controlled on OSD by I-LAN over RS-485 link.
It is available to set up by optional remote set up unit RCU-801.



New Remote Control Unit, RCU-801 Coax Remote or RS-232C Remote

This unit is a control box for camera setups for various parameters using OSD, On-Screen-Display. And not only conventional Video coax cable connection controls, but also the provision for RS-232C link application is on. This DC12V or AA Battery operated control box makes camera setup and adjustment work very easy and effort-less even in difficult places for camera installation.

Dimensions:mm



* This product is made of ECO friendly components based upon the Company policy and Corporate Social Responsibility to help Global Environmental solution for energy conservation and environmental sustainability, and all the components used in this product are Non-hazardous, Toxic Free, Non-Lead materials and parts conforming with Japan's Green Product Regulation, EU's RoHS Direction, and other environmental and hazardous chemical substances related regulations and laws.



Design and specifications are subject to change without notice.

*NTSC versions are not available with CE Mark.



H48F094-H11 Printed in Japan

Ikegami IKEGAMI ELECTRONICS (U.S.A.), INC. ■ URL <http://www.ikegami.com>

HEADQUARTERS 37 BROOK AVENUE, MAYWOOD, NJ 07607
Phone:(201) 368-9171 Fax:(201) 569-1626

WESTCOAST OFFICE Phone:(310) 297-1900
MIDWEST OFFICE Phone:(614) 834-1350

SOUTHWEST OFFICE Phone:(972) 869-2363
SOUTHEAST OFFICE Phone:(954) 571-7177

