

60W Round Explosion-Proof Fixture

5000K | 120-277V

Suitable for hazardous environments where flammable gases, vapours, and liquids may exist. Also suited for wet locations, marine environments, and high vibration applications



UL Hazloc
C1, D2, (Groups A,B,C,D)
UL844, UL1598, UL 8750



Atex
II 2 G Ex db IIC T6 Gb

IP66 Driver
in Separate
Compartment

10KV surge protection

Tempered Glass Lens
allows for soft, uniform light

Faceted Reflectors
in each LED chip for glare
control and beam precision



Rugged Die Cast
Aluminum Housing

Complete with Yoke Mount



Petrochemical
Processing



Mines



Paint
Booths



Docks
and Shipyards



Auto Shops

Optional Wireguard
Ordered Separately
EXPR-WG-SM



TECHNICAL DATA



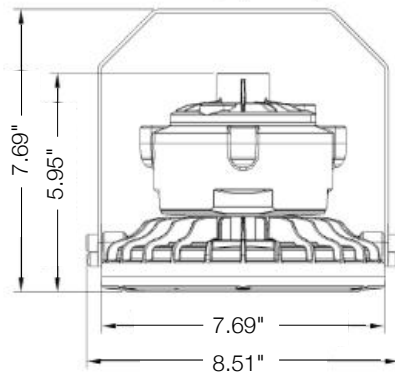
LIGHT SPECIFICATIONS

Lumens	8,870 lm
Efficacy	130 lm/W
CCT	5000K
CRI	>80
Viewing Angle	110°
L70 Life	50,000 hrs
Dimmable	No
Warranty	5-year

APPROVALS AND LISTINGS

cUL	E517285
-----	---------

DIMENSIONS



ELECTRICAL

Wattage	60W
Voltage	120-277V
Power Factor	0.96
THD	<20%
Operating Temp	-40 to 55°C

CONSTRUCTION

Housing	Aluminum
Cover	Glass
Finish	Orange
IP Rating	IP66
Net Weight	4.16 kg
Gross Weight	8.92 kg
Carton Qty	2
Carton Dimensions	500 x 255 x 310 mm

ACCESSORIES (Ordered Separately)

Wireguard	EXPR-WG-SM
-----------	------------



SUGGESTED SUBSTITUTION

EXPR-100W-50K
EXPR-150W-50K