



INDUSTRIAL CONTROL SOLUTIONS

Handy-Grips® Ergo-Grips® Joystick Bases

P.O. Box 23801
Portland, Or 97281-3801

7943 SW Cirrus Dr.
Beaverton, Or 97008

1-800-621-8754

Cyber-Tech, Inc, BRUT-880-RB Mini-Grip Series control handle is a simple, low cost, compact control grip for applications requiring up to six AC or DC functions.

Like the 301-RB control grip the BRUT-880-RB is backed with a lifetime guarantee. Fabricated from aluminum, our die cast, powder coated grips can handle the harshest environments. The BRUT-880-RB can be sealed to fit most IP rated applications for equipment requiring extra protection. Also, the BRUT-880-RB can be easily adapted to all joysticks on the market.

The BRUT-880-RB comes standard with CTI's SPDT momentary pushbutton switches and is available with up to four triggers and two thumb operated switch. Designed for right or left handed operations, the small compact shape is a comfortable fit for most operators' hands.

Cyber-Tech, Inc. offers a large variety of options and accessories available to help make our products meet your specific requirements. Along with multiple switching, special wiring, LED's, rockers and custom mounting accessories the BRUT-880-RB can be customized to fit your application. If you don't see what you're looking for please call our knowledgeable sales staff and we will gladly assist you on your requirements.

Mini-Grip *series*



Brut - 880 - RB

www.cyber-tech.net

Mechanical Specifications

Dimensions: 14.28 cm x 6.273 x 5.08 (5.625 in x 2.470 in x 2.00 in) (L x W x D)

Weight: 0.50 LBS (229 Grams)

Material: Aluminum

Mounting Thread: female 1/2 NPT

Enclosure type: Single piece

Electrical Specifications

Trigger: 0, 1, 2, 3, 4 functions

Top Cap: 0, 1 OR 2 function

Standard Switches: Soft touch Mom pushbutton

Switch Rating: 120vac @ 5 amps , 30vdc @ 5 amps

Switch Life: 10,000,000 cycles

Switch Locations

BRUT-880-RB is shown with all faceplate switch locations. Handle is configured at time of order and machined accordingly.

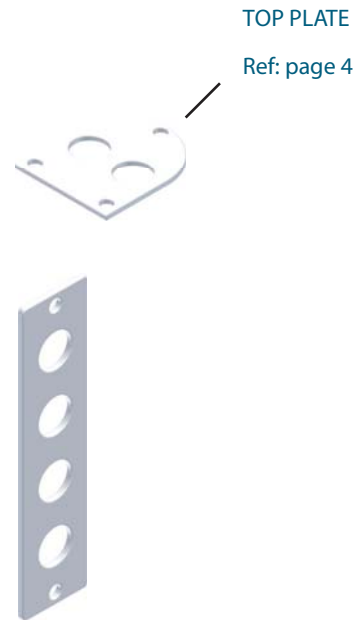
FACEPLATE

Position 1

Position 2

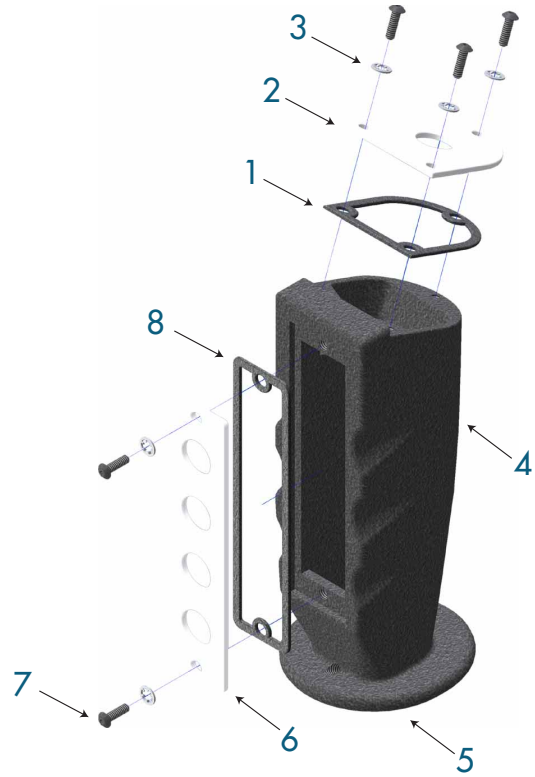
Position 3

Position 4



Control Handle Breakdown

LOCATION	PART #	DESCRIPTION
1	TOP PLATE GASKET	SPECIAL ORDER
2	64-A81201-01	Top Plate
2a	Reference: page 4	Optional Top Plates
3	99-W-4-N	Nylon Washer
4	69-B81201-01	BRUT-880-RB Enclosure
5	1/2-13 NPT	Standard Female Thread
6	64-A81202-10	Faceplate
6a	Reference: page 4	Optional Faceplates
7	99-SC-4-40x3/8-BH	Button Head Cap Screw



Switching Example



CYBER·TECH, Inc.

Mini-Grip *series*

Brut - 880 - RB

Options

Top Plate



1 Switch

2 Switch

1 Rocker

Faceplate



Blank



1 Switch



2 Switch



3 Switch



4 Switch

Standard Cap Color Selection

Sealed Boot Selection

Mom SPDT



Maint SPDT



Maint DPDT



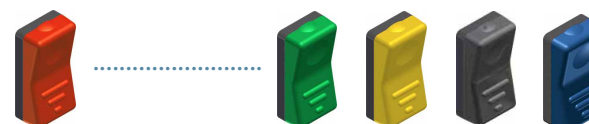
Toggle SPDT



Toggle DPDT



Std Rocker

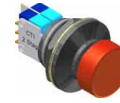


Available options:

Maintained, momentary, custom switching functions, lamps, e-switches, two stage triggers and pushbuttons, connectors and special wiring can be added; please consult CTI for further options. 1.800.621.8754



E-stop switch



2 Stage switch



Available Switch Guarding



Straight Stud Adaptors

14mmX1.0
10mmX1.25
1/2-13 External
12mmX1.75
14mmX2.0



Angled Stud Adaptors

1/2-13 External
10mmX1.25
12mmX1.75
14mmX2.0



Female Stud Adaptors

1/2-13-F 8mmX1.25-F
3/8-16-F 12mmX1.5-F
5/8-11-F 12mmX1.75-F
3/4-10-F 14mmX1.5-F
3/4-10-F 14mmX2.0-F