


Middle Atlantic Products

EXCEPTIONAL SUPPORT & PROTECTION™

PD-2X1215TL-30CB High Amp Power Distribution



Supplies power on two circuits to 15 Amp equipment for broadcasting, data centers and audio/video installations. Connects to 30 Amp uninterruptible power supplies per NEC regulations

Features

- Two independent 15 Amp circuits fed by a 30 Amp branch circuit
- Ideal for connection to uninterruptible power supplies with a 30 Amp NEMA L5-30R output
- Twelve duplexes, 6 duplexes per circuit, 24 outlets total
- 9-1/2' cord with NEMA L5-30 plug
- Dual circuit breakers with lock-out pin to prevent tampering
- Mounts easily with included quick-clips
- Ivory and white duplexes alternate to indicate circuits
- UL Listed in the US and Canada



PD-2X1215TL-30CB

Architects' and Engineers' Specifications

Dual circuit 30 Amp power strip shall be Middle Atlantic Products model # PD-2X1215TL-30CB. Power strip shall be 56.5" long and shall feature 12 duplexes (24 outlets). Duplexes shall alternate ivory and white to indicate circuit. Power strip shall be connected to a 30 Amp supply using included 9-1/2' cord with NEMA L5-30, 30 Amp twistlock plug. 30 Amp input shall feed dual 15 Amp circuits via two 15 Amp circuit breakers. Circuit breaker lock-out pin shall prevent tampering with circuit breaker switches while retaining circuit breaker functionality. Power strip shall mount using included quick-clip hardware. Power strip shall be UL Listed in the US and Canada. Power strip shall be GREENGUARD Indoor Air Quality Certified for Children and Schools. Power strip shall be RoHS EU Directive 2002/95/EC compliant. Power strip shall be manufactured by an ISO 9001 registered company. Power strip shall be warranted to be free from defects in material or workmanship under normal use and conditions for a period of three years.

OPTIONS

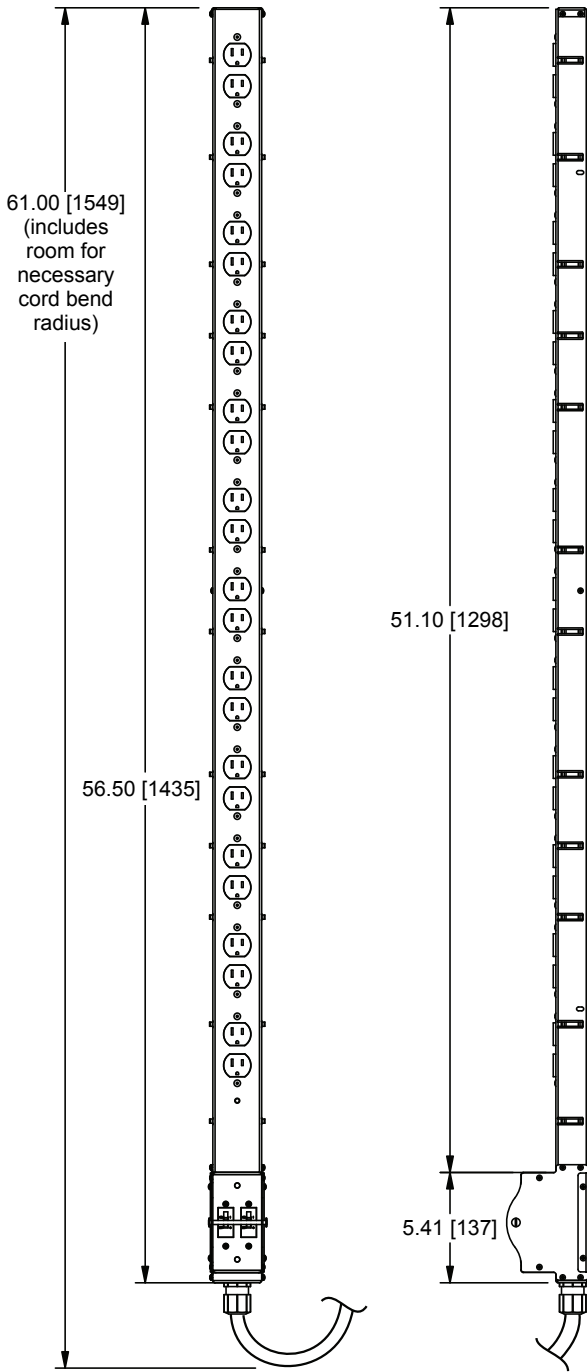
- Model # PB-5A mounting brackets shall accommodate the mounting of vertical power strips to rackrail of any rack
- Model # PB-DWR mounting bracket shall accommodate the mounting of vertical power strips to rear rackrail of Middle Atlantic Products DWR & SR series wall racks

CUSTOMIZABLE SPECIFICATION CLIPS AVAILABLE AT MIDDLEATLANTIC.COM

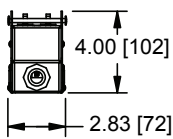
PD-2X1215-TL30-CB basic dimensions

FRONT VIEW

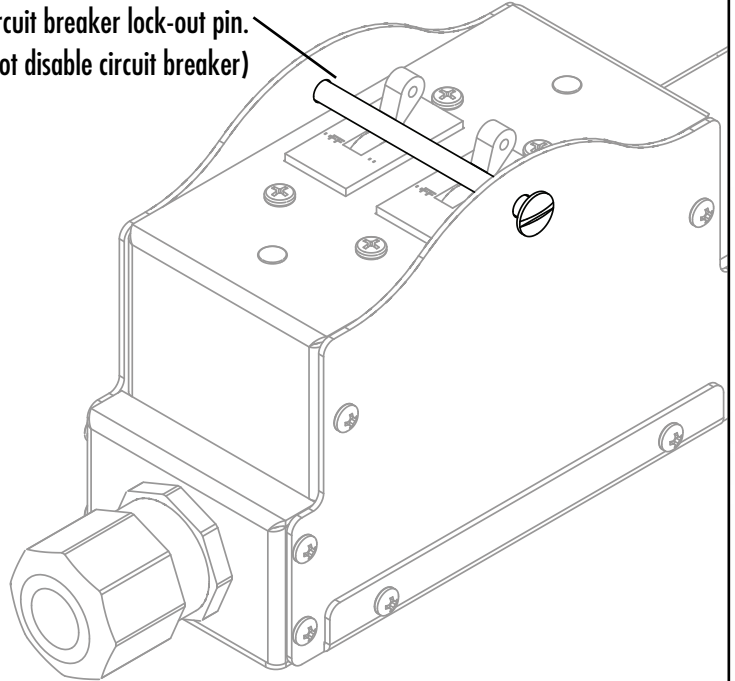
SIDE VIEW



BOTTOM VIEW



Circuit breaker lock-out pin.
(Does not disable circuit breaker)

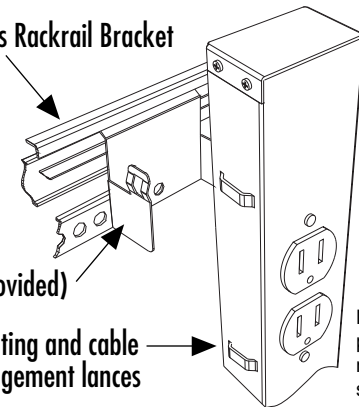


Included Mounting Method

Middle Atlantic Products Rackrail Bracket

included quick-clip (2 provided)

mounting and cable management lances



NOTE: Wood screws provided for attaching mounting clip to wood surfaces



All dimensions in inches unless otherwise noted [All dimensions in brackets are in millimeters]