



## **INDUSTRIAL CONTROL SOLUTIONS**

Handy-Grips® Ergo-Grips® Joystick Bases

P.O. Box 23801  
Portland, Or 97281-3801

7943 SW Cirrus Dr.  
Beaverton, Or 97008

**1-800-621-8754**

Cyber-Tech, Inc. 8701-RB Handy-Grip Series handle has been designed with ergonomics in mind. The grip is well built and extremely tough. It is made of die cast aluminum, powder coated and covered under our lifetime guarantee. The 8701-RB is a low priced industrial control making it affordable for all applications.

The 8701-RB's can be configured with up to 4 standard SPDT CTI "soft Touch" pushbuttons and 1 trigger that will cover many applications. Custom features are also available so you can add rockers, toggles, LED's, custom faceplates or wiring and can be sealed for most IP ratings. With the ability to accommodate both right and left handed operators, the 8701-RB will have no limits to its functions.

The switch plate on the 8701-RB is quickly removed with out taking the housing apart and we stock our standard rockers, toggles and pushbuttons making maintenance on all our control grips as easy as possible.

If you can not find what you are looking for or need a simple question answered please call us so we can help you decide if this Handy-Grip will work for your application.

# Handy-Grip *series*



**8701 - RB**

---

---

**[www.cyber-tech.net](http://www.cyber-tech.net)**

## Mechanical Specifications

Dimensions: 16.51 cm x 10.16 cm x 8.255 cm (6.5 in x 4.0 in x 3.250 in) (L x W x D)

Weight: 0.50 LBS (231 Grams)

Material: Aluminum

Mounting Thread: female 1/2 NPT

Enclosure type: Single piece

## Electrical Specifications

Switching: 0, 1, 2, 3, 4, 5, 6 functions

Trigger: 0, 1 function or 1 single 2 stage function

Standard Switches: Soft touch Mom pushbutton

Switch Rating: 120vac @ 5 amps , 30vdc @ 5 amps

Switch Life: 10,000,000 cycles

## Switch Locations

8701-RB is shown with all switch locations.

Handle is configured at time of order and machined accordingly. Custom switch location can be added per your layout request.

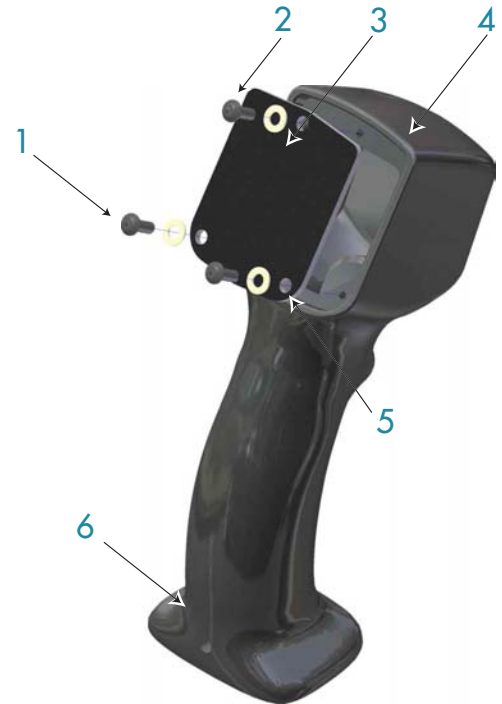


CYBER·TECH, Inc.

### Control Handle Breakdown

LOCATION	PART #	DESCRIPTION
1	99-SC-6-32x3/8-BH	Button Head Cap Screw
2	99-W-6-N	Nylon Washer
3	65-930661-01	8701-RB Blank Faceplate
4	69-930660-04	8901-RB Housing
5	33-R-960143-01	8701-RB Gasket
6	99-SS-.25x3/16-FH	Set Screw

Note: A detail parts breakdown example of your Custom Configured handle is available upon request.



### Switching Example



CYBER·TECH, Inc.

# Handy-Grip *series*

8701 - RB

## Options



Blank



1 Trigger



Blank



4 Function



Custom

### Standard Cap Color Selection

### Sealed Boot Selection

Mom SPDT



Maint SPDT



Maint DPDT



Toggle SPDT



Toggle DPDT



Std Rocker

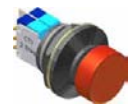


Available options:

Maintained, momentary, custom switching functions, lamps, e-switches, two stage triggers and pushbuttons, connectors and special wiring can be added; please consult CTI for further options. 1.800.621.8754



E-stop switch



2 Stage switch



### Straight Stud Adaptors

- 14mmX1.0
- 10mmX1.25
- 1/2-13 External
- 12mmX1.75
- 14mmX2.0



### Angled Stud Adaptors

- 1/2-13 External
- 10mmX1.25
- 12mmX1.75
- 14mmX2.0



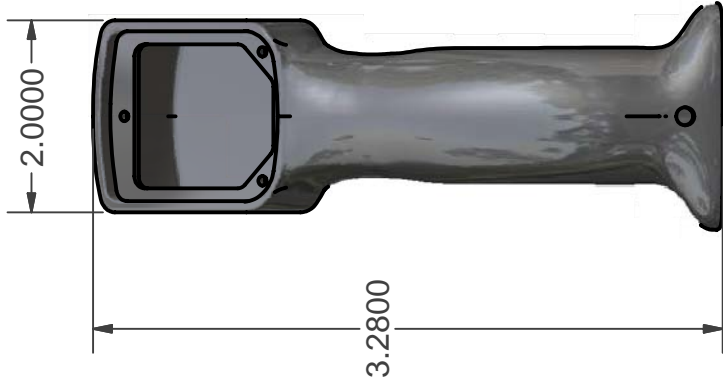
### Female Stud Adaptors

- 1/2-13-F 8mmX1.25-F
- 3/8-16-F 12mmX1.5-F
- 5/8-11-F 12mmX1.75-F
- 3/4-10-F 14mmX1.5-F
- 3/4-10-F 14mmX2.0-F

1

REVISION HISTORY				
ZONE	REV	DESCRIPTION	DATE	APPROVED
1	A	8701-RB	7/16/2003	Keith

2



B



B



DRAWN	K Dowers	7/16/2003
APPROVED		
Phone:	1.800.621.8754	
Phone:	503.620.2285	
Fax:	503.620.8580	
Web:	www.cyber-tech.net	
e-mail	engineering@cyber-tech.net	

<b>Cyber-Tech, Inc.</b>	
TITLE	
General Dimensions	
SIZE	DWG NO
A	8701-RB
SCALE	SHEET
1/2	1 OF 1

A

A

1

2

