

TG2314FCS-3

2.3mm F1.4
for 1/3 type Cameras, Fixed-focal Auto Iris DC Drive
CS-Mount

with Focus, w/o Amplifier

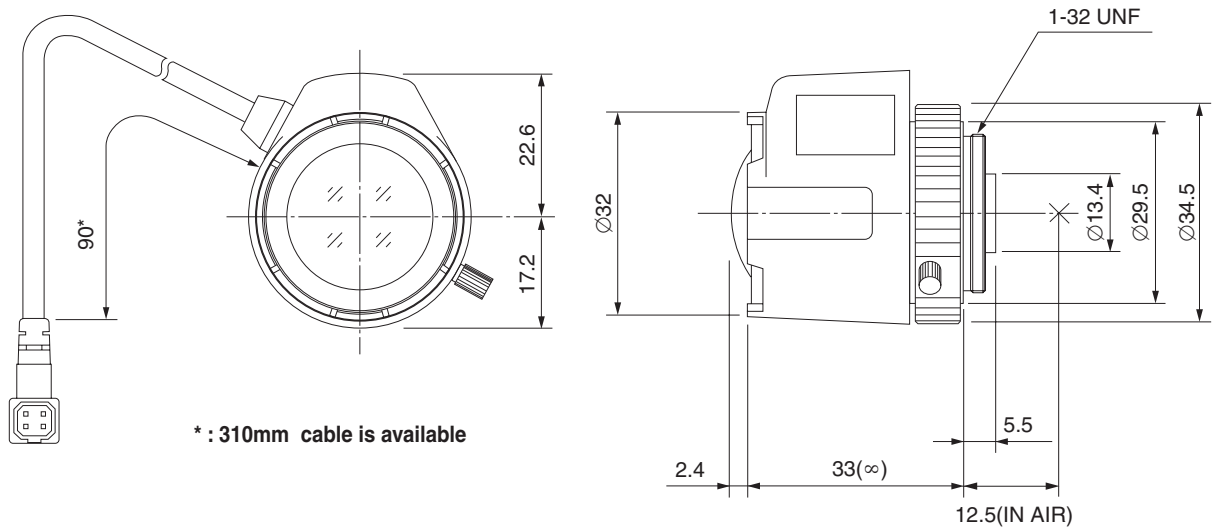
Model No.	TG2314FCS-3		Effective	Front	Ø22.8mm
Focal Length	2.3mm		Lens Aperture	Rear	Ø7.0mm
Max. Aperture Ratio	1:1.4		Back Focal Length	7.1mm	
Max. Image Format	4.8mm x 3.6mm(Ø6mm)		Flange Back Length	12.5mm	
Operation Range	Iris	F1.4 - F360C	Mount	CS-Mount	
	Focus	0.2m - Inf.	Filter Size	—	
Control	Iris	DC Auto Iris	Dimensions	Ø32mm x 39.8mm x 35.4mm	
	Focus	Manual	Weight	45g	
Object Dimension at M.O.D.	60.8cm x 37.5cm				
Angle of View	D	1/3 type	137.9°	1/4 type	106.7°
	H			86.3°	
	V			86.3°	
Coil	Drive	190Ω			
	Control	855Ω			
Operating Temperature	-20°C - +50°C				

1/3 type

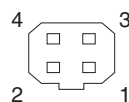
M.O.D : Minimum Object Distance

Dimensions

CS



Wiring Diagram



Pin No.

1	BROWN	Control (-)
2	RED	Control (+)
3	YELLOW	Drive (+)
4	ORANGE	Drive (-)