

TG10Z0513AFCS-2

10X 5mm - 50mm F1.3
for 1/3 type Cameras, Vari-focal Auto Iris VIDEO Drive
CS-Mount

with Focus and Amplifier

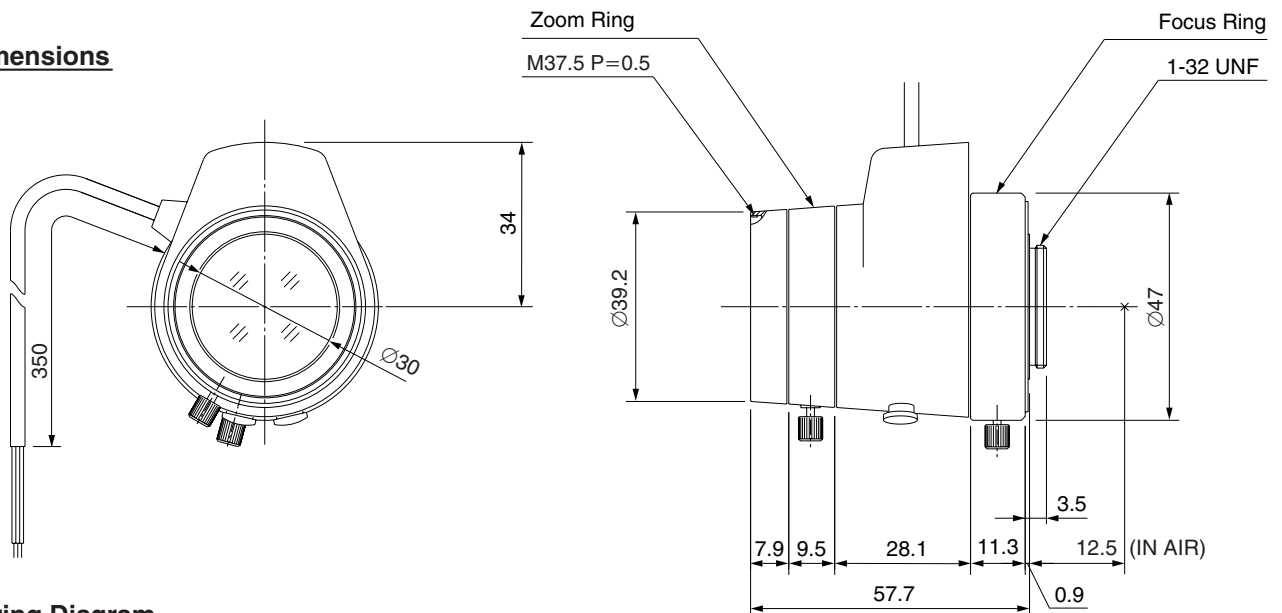
Model No.	TG10Z0513AFCS-2		Effective	Front	Ø29.5mm	
Focal Length	5mm - 50mm		Lens Aperture	Rear	Ø8.7mm	
Max. Aperture Ratio	1:1.3		Back Focal	Tele	10.6mm	
Max. Image Format	4.8mm x 3.6mm(Ø6mm)			Length	Wide	10.5mm
Operation Range	Iris	F1.3 - F360C	Flange Back Length		12.5mm	
	Focus	0.8m - Inf.	Mount		CS-Mount	
	Zoom	5mm - 50mm	Filter Size		M37.5 P=0.5mm	
Control	Iris	Video Auto Iris	Dimensions			Ø41.7mm x 57.5mm x 57.7mm
	Focus	Manual	Weight			145g
	Zoom	Manual				
Object Dimension at M.O.D.	5mm	77.7cm x 57cm				
	50mm	7.8cm x 6cm				
Angle of View	D	1/3 type	64.0° - 6.9°	1/4 type	48.8° - 5.3°	
	H		51.8° - 5.6°		39.2° - 4.3°	
	V		39.2° - 4.3°		29.5° - 3.2°	
Supply Voltage	DC8.5V - DC16V					
Current	Less than 40mA					
Response Time	Approx. 2 sec.					
Light Weighting Method	Adjustable between Average - Peak (to be Set at Average at Factory)					
Input Signal	Video Signal (V. or V.S.)					
Iris Accuracy	± 15% at Video Signal Level					
Sensitivity Adjustment	0.5V(p-p) - 1.0V(p-p) (Video Signal)					
Input Impedance	High Impedance					
Operating Temperature	-20°C - +50°C					

1/3 type

CS

M.O.D. : Minimum Object Distance

Dimensions



Wiring Diagram

