

TG2Z1816AFCS

2X 1.8mm - 3.6mm F1.6
for 1/3 type Cameras, Vari-focal Auto Iris VIDEO Drive
CS-Mount

with Focus and Amplifier

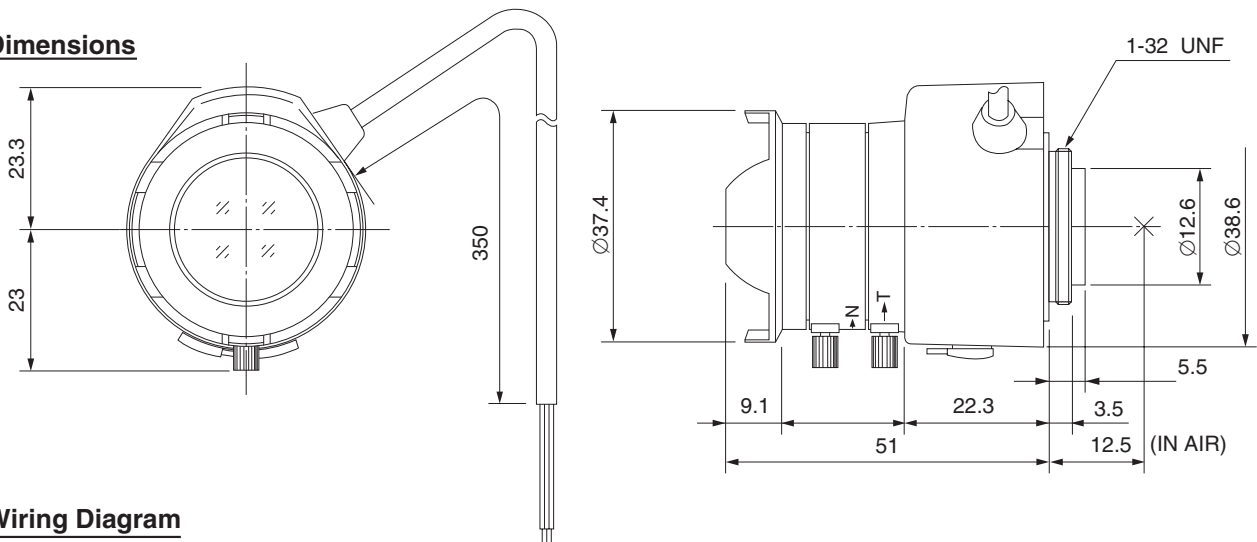
1/3
type

CS

| | | | | | |
|----------------------------|---|------------------|--------------------|-------------------------|----------------|
| Model No. | TG2Z1816AFCS | | Effective | Front | Ø22.0mm |
| Focal Length | 1.8mm - 3.6mm | | Lens Aperture | Rear | Ø7.9mm |
| Max. Aperture Ratio | 1:1.6 | | Back Focal | Tele | 10.5mm |
| Max. Image Format | 4.8mm x 3.6mm(Ø6mm) | | Length | Wide | 7.0mm |
| Operation Range | Iris | F1.6 - F360C | Flange Back Length | 12.5mm | |
| | Focus | 0.2m - Inf. | Mount | CS-Mount | |
| | Zoom | 1.8mm - 3.6mm | Filter Size | — | |
| Control | Iris | Video Auto Iris | Dimensions | Ø37.4mm x 42.6mm x 51mm | |
| | Focus | Manual | Weight | 83g | |
| | Zoom | Manual | | | |
| Object Dimension at M.O.D. | 1.8mm | 123.8cm x 56.5cm | | | |
| | 3.6mm | 33.2cm x 22.9cm | | | |
| Angle of View | D | 1/3 type | 173.8° - 99.0° | 1/4 type | 135.8° - 74.4° |
| | H | | 144.2° - 79.4° | | 109.5° - 59.6° |
| | V | | 109.4° - 59.6° | | 82.3° - 44.7° |
| Supply Voltage | DC8V - DC16V | | | | |
| Current | Less than 35mA | | | | |
| Response Time | Approx. 2 sec. | | | | |
| Light Weighting Method | Adjustable between Average - Peak (to be Set at Average at Factory) | | | | |
| Input Signal | Video Signal (V. or V.S.) | | | | |
| Iris Accuracy | ± 15% at Video Signal Level | | | | |
| Sensitivity Adjustment | 0.5V(p-p) - 1.0V(p-p) (Video Signal) | | | | |
| Input Impedance | High Impedance | | | | |
| Operating Temperature | -20°C - +50°C | | | | |

M.O.D. : Minimum Object Distance

Dimensions



Wiring Diagram

