

# TG5Z8513FCS-IR

**5X 8.5mm - 40mm F1.3 Day & Night type**  
**for 1/3 type Format Cameras, Vari - Focal, Auto Iris DC Drive**  
**CS-Mount**

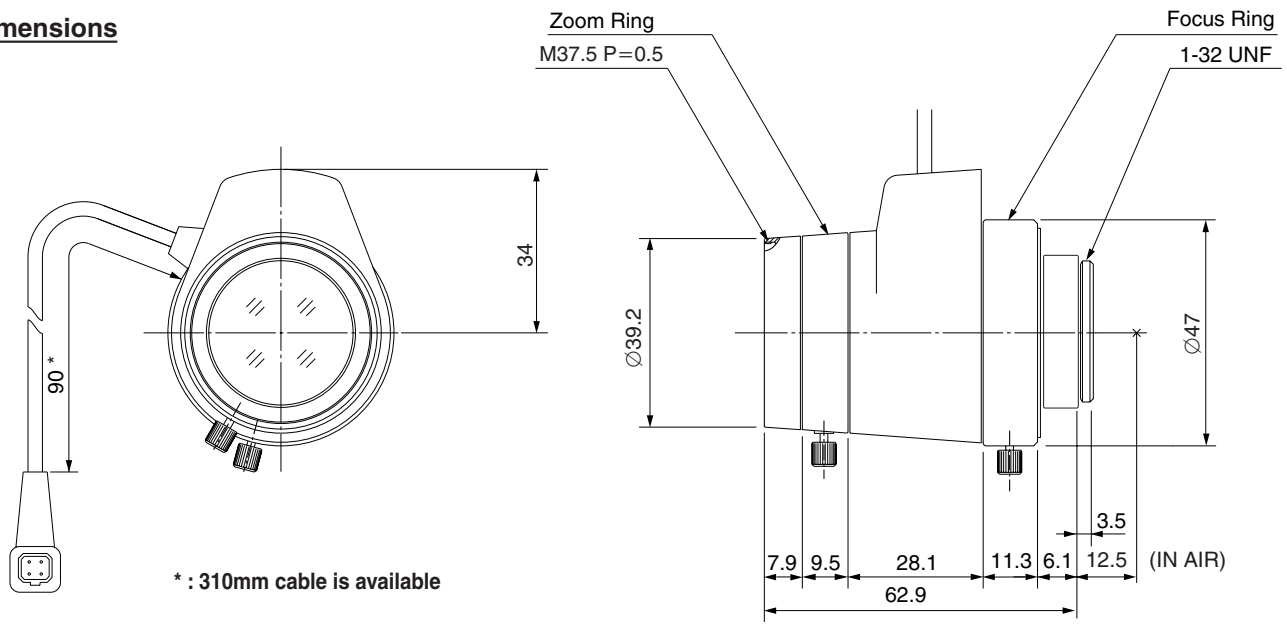
with Focus, w/o Amplifier

Model No.	TG5Z8513FCS-IR		Effective	Front	Ø27.0mm	
Focal Length	8.5mm - 40mm		Lens Aperture	Rear	Ø9.3mm	
Max. Aperture Ratio	1:1.3		Back Focal	Tele	10.6mm	
Max. Image Format	4.8mm x 3.6mm(Ø6mm)			Length	Wide	9.0mm
Operation Range	Iris	F1.3 - F360		Flange Back Length		12.5mm
	Focus	0.8m - Inf.		Mount		CS-Mount
	Zoom	8.5mm - 40mm		Filter Size		M37.5 P=0.5mm
Control	Iris	Auto Iris		Dimensions		Ø41.7mm x 57.5mm x 62.9mm
	Focus	Manual		Weight		114g
	Zoom	Manual				
Object Dimension at M.O.D.	8.5mm	48.1cm x 34.5cm				
	40mm	10cm x 7.5cm				
Angle of View	D	1/3 type	43.9° - 8.9°	1/4 type	31.2° - 6.7°	
	H		33.5° - 7.1°		24.4° - 5.3°	
	V		24.4° - 5.3°		17.4° - 3.8°	
Coil	Drive	190 ohm				
	Control	1000 ohm				
Operating Temperature	-20°C - +50°C					

Operates in both visible and infrared light

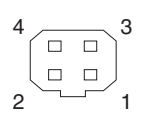
M.O.D : Minimum Object Distance

**Dimensions**



\* : 310mm cable is available

**Wiring Diagram**



Pin No.		
1	BROWN	Control (-)
2	RED	Control (+)
3	YELLOW	Drive (+)
4	ORANGE	Drive (-)

1/3 type

CS

AG

Z

SP