



**INDUSTRIAL CONTROL SOLUTIONS**

Handy-Grips® Ergo-Grips® Joystick Bases

P.O Box 23801  
Portland, Or 97281-3801

7943 SW Cirrus Dr.  
Beaverton, Or 97008

**1-800-621-8754**

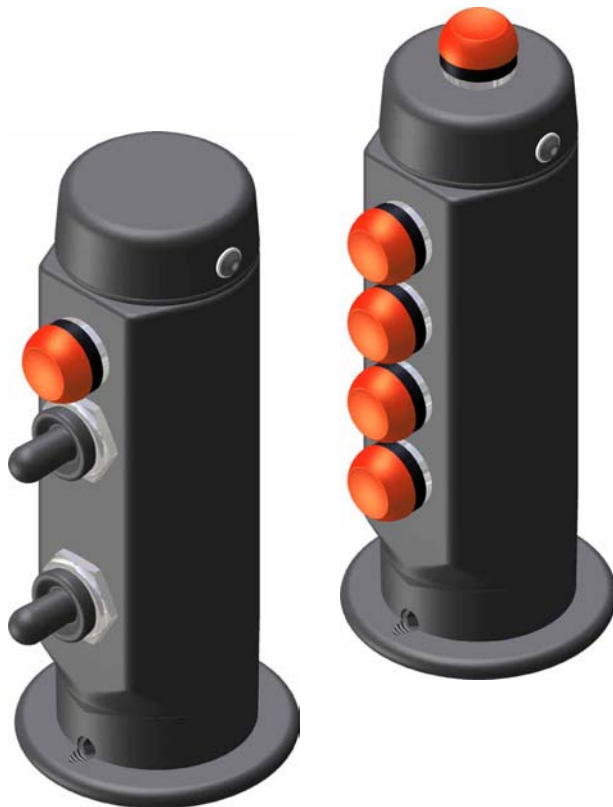
Cyber-tech, Inc., 301-RB Mini-Grip Series control handle is a simple, inexpensive, compact control grip for applications requiring up to five AC or DC functions.

Like all of Cyber-Tech, Inc. control grips our handles are backed with a lifetime guarantee. Fabricated from aluminum, our die cast, powder coated grips can handle the harshest environments. The 301-RB can be sealed to meet most IP rated equipment applications requiring extra protection.

The 301-RB comes standard with SPDT momentary pushbutton switches and is available with up to four triggers and one thumb operated switch. It is designed for right or left handed operations, and the small compact shape is a comfortable fit for most operators' hands.

Cyber-Tech, Inc. offers a large variety of options and accessories to make our products meet your specific requirements. Multiple switching, special wiring, LED's and custom mounting accessories can be added to customize the 301-RB for your application. If you don't see what you're looking for please call our knowledgeable sales staff and we will gladly assist you with your requirements.

Mini-Grip *series*



**301 - RB**

[www.cyber-tech.net](http://www.cyber-tech.net)

## Mechanical Specifications

Dimensions: 12.7 cm x 5.715 x 3.81 (5.0 in x 2.250 in x 1.50 in) (L x W x D)

Weight: 0.37 LBS (169 Grams)

Material: Aluminum

Mounting Thread: female 1/2 NPT

Enclosure type: Single piece

## Electrical Specifications

Trigger: 0, 1, 2, 3, 4 functions

Top Cap: 0, 1 function

Standard Switches: Soft touch Mom pushbutton

Switch Rating: 120vac @ 5 amps , 30vdc @ 5 amps

Switch Life: 10,000,000 cycles

## Switch Locations

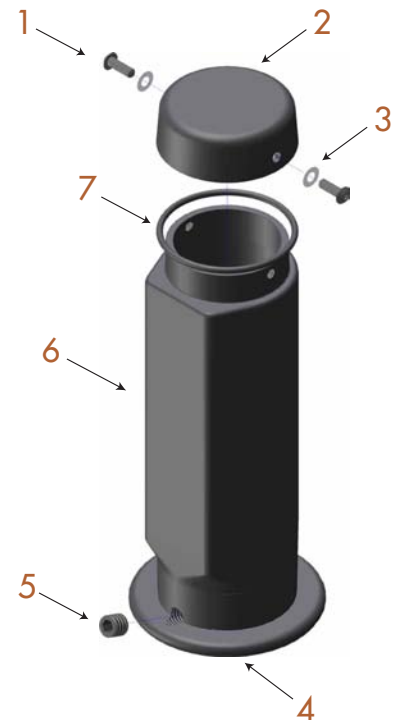
301-RB is shown with all faceplate switch locations. Handle is configured at time of order and machined accordingly.



CYBER·TECH, Inc.

### Control Handle Breakdown

LOCATION	PART #	DESCRIPTION
1	99-SC-6-32x3/8-BH	Button Head Cap Screw
2	64-950055-01	Top Cap
2a	64-950055-02	Top Cap w/Switch Opening
3	99-W-6-N	Nylon Washer
4	1/2-13 NPT	Standard Female Thread
5	99-SS-.25x3/16-FH	Set Screw
6	69-941391-01	301-RB Enclosure
6a	69-941391-01	Custom 301-RB Enclosure
7	33-R-028-N70	O-Ring



### Switching Example



CYBER·TECH, Inc.

# Mini-Grip *series*

301 - RB

## Options

Top Cap



Blank



1 Switch

301-RB



Blank



1 Switch



2 Switch



3 Switch



4 Switch

### Standard Cap Color Selection

### Sealed Boot Selection

Mom SPDT



Maint SPDT



Maint DPDT



Toggle SPDT



Toggle DPDT

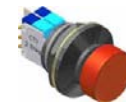


Available options:

Maintained, momentary, custom switching functions, lamps, e-switches, two stage triggers and pushbuttons, connectors and special wiring can be added; please consult CTI for further options. 1.800.621.8754



E-stop switch



2 Stage switch



### Straight Stud Adaptors

- 14mmX1.0
- 10mmX1.25
- 1/2-13 External
- 12mmX1.75
- 14mmX2.0



### Angled Stud Adaptors

- 1/2-13 External
- 10mmX1.25
- 12mmX1.75
- 14mmX2.0

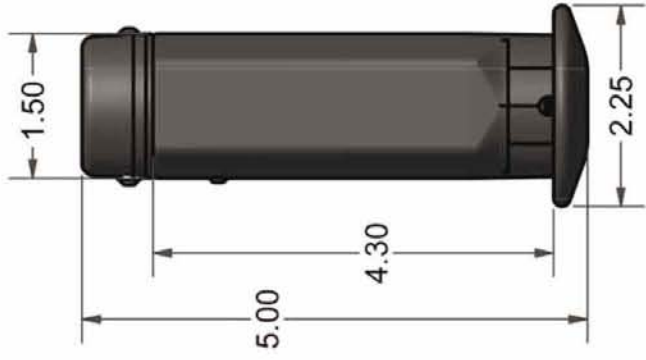


### Female Stud Adaptors

- 1/2-13-F 8mmX1.25-F
- 3/8-16-F 12mmX1.5-F
- 5/8-11-F 12mmX1.75-F
- 3/4-10-F 14mmX1.5-F
- 3/4-10-F 14mmX2.0-F

2 1

REVISION HISTORY				
ZONE	REV	DESCRIPTION	DATE	APPROVED
1	1	Value	6/11/2003	keith



**Mechanical**

Dimensions: 12.7 cm x 5.715 x 3.81 (5.0 in x 2.250 in x 1.50 in) (L x W x D)  
 Weight: 0.37 LBS (169 Grams)  
 Material: Aluminum  
 Mounting Thread: female 1/2—13 NPT  
 Enclosure type: Single piece with sealed top cap  
 Coating: Black Powder coating

DRAWN	keith	6/11/2003	<b>Cyber-Tech, Inc.</b>	
APPROVED			TITLE	
Phone:	1.800.621.8754		301-RB Mini-Grip	
Phone:	503.620.2285		SIZE	DWG NO
Fax:	503.620.8580		A	301-RB
Web:	www.cyber-tech.net		SCALE	REV
e-mail	engineering@cyber-tech.net		.5/1	A
			SHEET	
			P # 1.800.621.8754	
			Fax # 503-620-8580	
			1 OF 1	

2

1