

29 Megapixel JPEG2000 Color HD Pro Camera



Avigilon's end-to-end surveillance solutions deliver image detail no other system can match. Avigilon Control Center software, featuring High-Definition Stream Management™ (HDSM™) technology combined with our broad range of megapixel cameras (from 1 MP to 29 MP) provide unprecedented clarity—while effectively managing storage and bandwidth requirements. Our components are scalable and can work together in an end-to-end system, or can be customized to create your own powerful and cost-effective solution.

The innovative HD Pro camera is just one way Avigilon can help provide the very best monitoring and protection.



JPEG2000 HD Pro cameras start at 8 MP and go all the way up to an industry-leading 29 MP — using E/EF mount lenses for the best optical quality and remote focus. These cameras are mainly used for covering vast areas in high detail, making them effective for monitoring logistics and the movement of goods, as well as stadiums, ports, transportation, critical infrastructure, and municipal grounds and buildings.

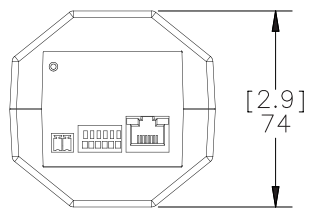
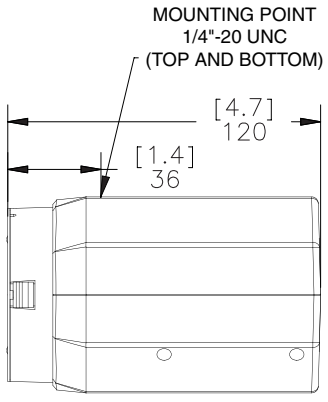
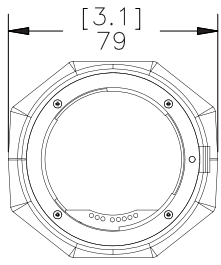
KEY FEATURES

- 29 megapixel progressive scan CCD sensor
- 2 images per second at full resolution
- 64 db true dynamic range
- 0.1 lux minimum illumination
- 35 mm diagonal image sensor
- Lossless JPEG2000 compression
- Unsurpassed image quality
- Automatic exposure control and iris control
- Software focus control
- Compatible with a wide selection of Canon® EF mount lenses
- Power over Ethernet, 24 VAC or 12 VDC power input
- External I/O and RS-485 interface

Specifications

CAMERA	Image Sensor	35 mm progressive scan interline transfer CCD		
	Active Pixels	6576 (H) x 4384 (V)		
	Imaging Area	36.1 mm (H) x 24.0 mm (V); 1.422" (H) x 0.946" (V)		
	Minimum Illumination	0.1 lux (at F1.4)		
	Dynamic Range	64 dB		
	Lens Mount	EF (SLR-style bayonet)		
	Image Compression Method	JPEG2000		
	Image Rate	2 (at full resolution)		
	Motion Detection	Selectable sensitivity and threshold		
	Electronic Shutter Control	Automatic, Manual (2 to 1/60000 sec)		
	Iris Control	Automatic, Manual		
	Focus Control	Motorized, Manual		
	Flicker Control	50 Hz, 60 Hz		
	White Balance	Automatic, Manual		
	Backlight Compensation	Automatic		
	Privacy Zones	Up to 4 zones		
	External I/O Terminals	Alarm In, Alarm Out, RS-485		
	NETWORK	Network	100BASE-TX	
		Cabling Type	CAT5	
Connector		RJ-45		
Security		SSL		
Protocol		UDP, TCP, SOAP, DHCP, Zeroconf		
MECHANICAL	Dimensions (LxWxH)	120 mm x 79 mm x 74 mm (4.7" x 3.1" x 2.9")		
	Weight	115 kg (2.5 lbs) without lens		
	Camera Mount	1/4" UNC-20 (top and bottom)		
ELECTRICAL	Power Source	VDC: 12-24 V VAC: 24 V PoE: IEEE802.3af Class 3 compliant		
	Power Consumption	13 W		
	Power Connector	2-pin terminal block		
ENVIRONMENTAL	Operating Temperature	-10 °C to +50 °C (14 °F to 122 °F)		
	Storage Temperature	-10 °C to +70 °C (14 °F to 158 °F)		
	Humidity	20 - 80% Relative humidity (non-condensing)		
CERTIFICATIONS	Safety	UL 60950 CSA 60950 EN 60950-1	CE ROHS WEEE	
	Electromagnetic Emissions	FCC Part 15 Subpart B Class A IC ICES-003 Class A EN 55022 Class A	EN 61000-6-3 EN 61000-3-2 EN 61000-3-3	
	Electromagnetic Immunity	EN 50130-4 EN 61000-4-2 EN 61000-4-3 EN 61000-4-4	EN 61000-4-5 EN 61000-4-6 EN 61000-4-11	
ORDERING INFORMATION	29MP-HD-PRO-C	29 Megapixel JPEG2000 Color HD Pro Camera		

Outline Dimensions



[X.X]	INCHES
X	MM