

**HDMI™**

## Monitors

32" LCD HD Monitor

# ZM-L32A-HD

### Features:

- 1920 x 1080 (1080p) Resolution
- BNC, VGA, HDMI and DVI
- 3D Combfilter / Deinterlace
- Built-in Speakers
- Image Rotation Feature Prevents "Burn-In"
- UL, CE and FCC compliant

# ZM-L32A-HD

## 32" LCD HD Monitor

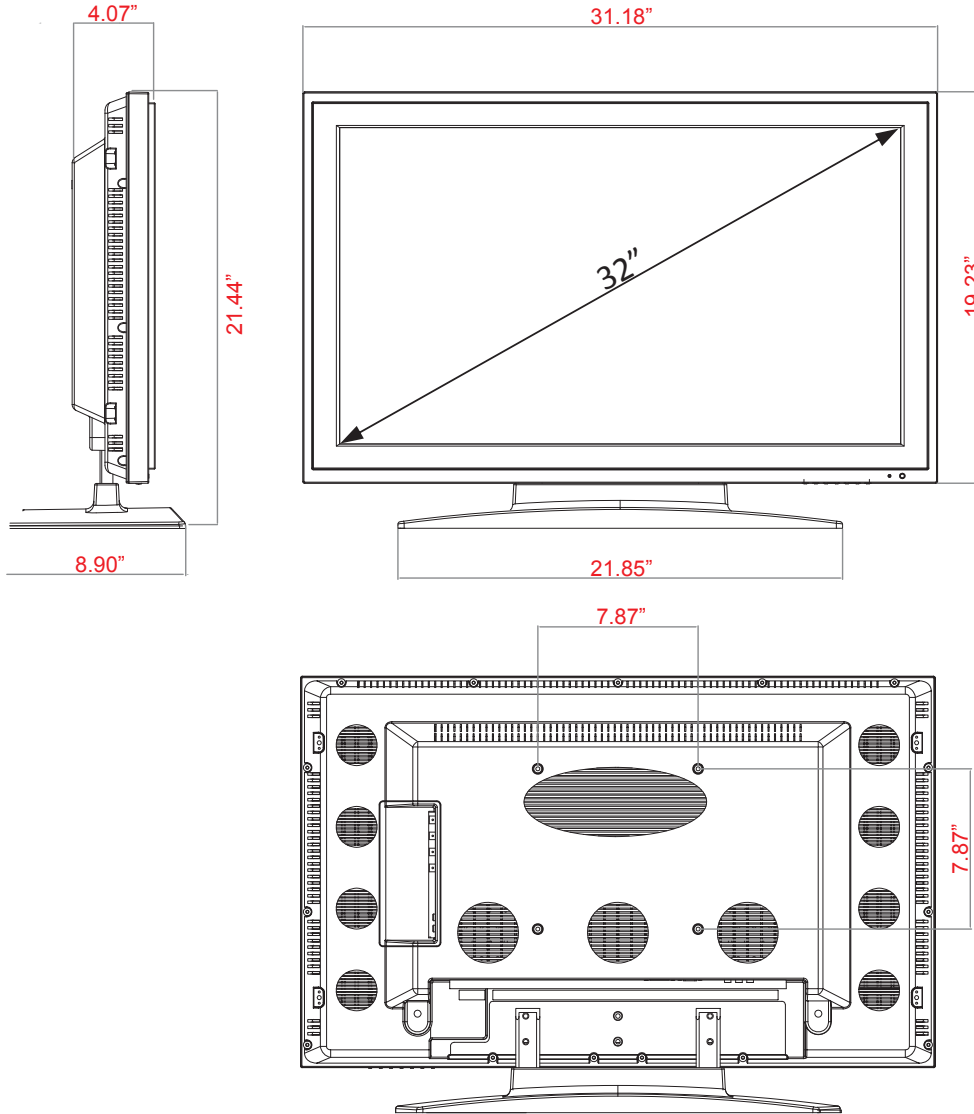
### ■ Specifications

	Model	ZM-L32A-HD
Video	Screen Size	32"
	Resolution	1920 X 1080 @60Hz
	Contrast Ratio	5000:1
	Brightness	450cd/m2
	Aspect Ratio	16:9
	Color Depth	16.7M
	Viewing Angle (H/V)	178°/178°
	Pixel Pitch	0.36375mm x 0.36375mm
	Response Time	< 6.5ms
	Scanning Frequency	Horizontal: 31 ~ 80kHz Vertical: 56 ~ 75Hz
	Video System	NTSC/PAL
	Interface	AV(Composite) In/ Out
RGB In (15-pin)		1
S-Video In/Out		1
Component (Y, Pb, Pr, Sound L/R) In		2/2
AV (Composite) Sound In/Out (RCA Type)		1
DVI/HDMI In		1/1
Trigger in		1
Audio	PC stereo In/out	1/1
Special Features	Built in speaker	2W x 2
	Filter Type	3D Combfilter/Deinterlace
	Multi Display Function	PIP / PBP / VOV
	Trigger Sensor / Image Rotation	Yes /Yes
	Video Resolution (Max)	600 TVL
	OSD Language	English, Spanish, French, German, Italian, Portuguese, Dutch
Additional	VESA Mount	200mm x 200mm
	MTFB (Approx.)	50,000 Hours
	Remote Control	Transmitter included
	Cabinet	Black finish
	Dimensions (W x H x D)	31.2" x 19.2" x 4.1"
	Weight	46.3 lbs (21kg)
	Power Consumption	120W
	Power Source	100~240 VAC
	Operating Temperature	32 - 104° F / 0 - 40° C
	Certifications	UL, CB, FCC, CE
Compatible Mounts	Call for more information on wall and ceiling mounts	

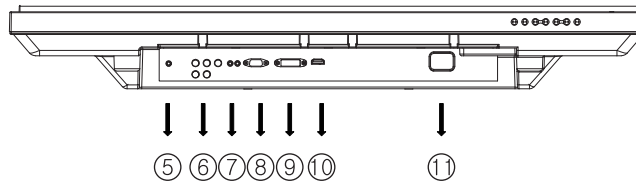
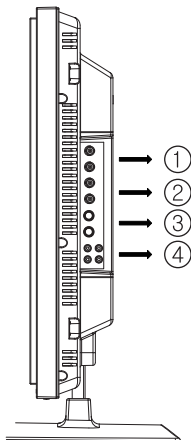
All specifications are subject to change without notice.

# ZM-L32A-HD

# 32" LCD HD Monitor



## INTERFACE



- |                               |                     |
|-------------------------------|---------------------|
| 1. AV(composite)1 IN/OUT      | 7. PC STEREO IN/OUT |
| 2. AV(composite)2 IN/OUT      | 8. VGA              |
| 3. S-VIDEO IN/OUT             | 9. DVI              |
| 4. AV(composite) SOUND IN/OUT | 10. HDMI            |
| 5. TRIGGER IN                 | 11. AC110V IN       |
| 6. COMPONENT                  |                     |