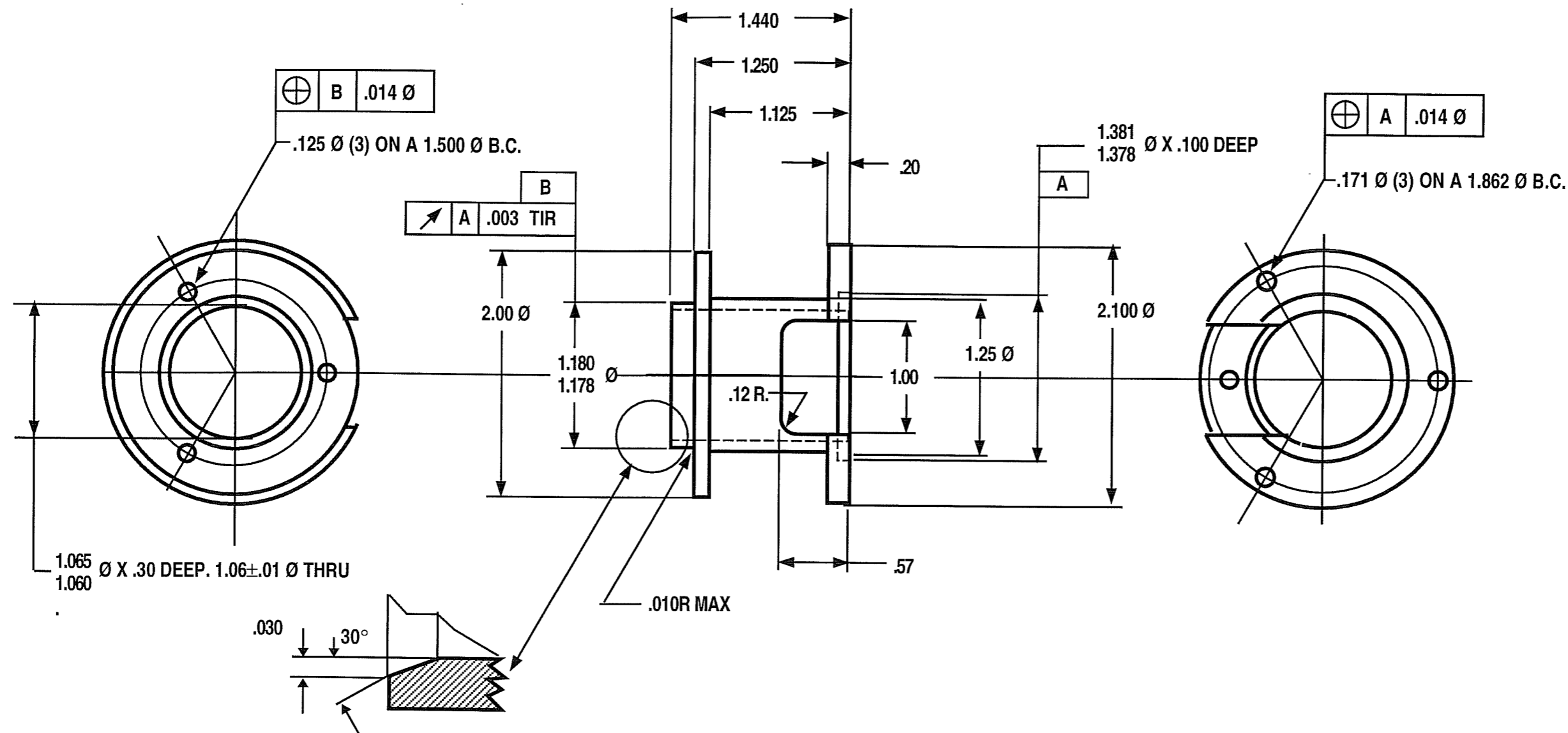


Ltr	Revision	Date
A	REDESIGNED	8/28/95
B	ADDED 1.378 X .10 DEEP FEATURE, 1.50 BC WAS 1.625 & .125 HOLES WERE THRU BOTH FLANGES	10/12/95



All drawings and specifications are and remain the property of BEI Motion Systems Company. All specifications are confidential and are not to be disclosed to any persons other than those to whom they are sent. No drawings, specifications or other data belonging to BEI Motion Systems Company which may be furnished to manufacturers or others for any purpose are to be regarded by implication or otherwise as in any manner licensing the holder or any other person or corporation or conveying any rights or permission to manufacture, use or sell any patented invention that may in any way be related thereto

Unless otherwise specified:
 Dimensions are in inches.
 Tolerances:
 XXX = .005
 XX = ±.01

BEI Industrial Encoder Division
 BEI SENSORS AND SYSTEMS COMPANY
 7230 Hollister Avenue • Goleta, CA 93117-2891 • Tel: (805) 968-0782 • Fax: (805) 968-3154

Material	AL ALLOY 6061-T6	Drawn	8/28/95	ADAPTER, H20 TO SIZE 23 MOTOR	
Finish	924-08002	App'd	<i>[Signature]</i>	Code Ident. No.	Dwg. No.
Next Assy	09123-109	Scale	1X	12050	924-38229-001
Used on					Rev. B