



Smart look Day/Night Fixed Dome Camera featuring Super Dynamic 6 technology

Key Features

- **Super Dynamic 6** technology delivers 128x wider dynamic range compared to conventional cameras.
- High resolution: 650 TV lines
- High sensitivity with Day/Night function: 0.08 lx (Color), 0.008 lx (B/W) at F1.4. IR cut filter switches on/off to enhance the sensitivity in B/W mode.
- ABS (Adaptive Black Stretch) enhances visibility of dark area without degrading image quality in bright area.
- ABF (Auto Back Focus) ensures easy installation. (WV-CF634)
- Various adjustment features including ATW (Auto Tracing White Balance) and ALC (Automatic Light Control)
- 2.8 ~ 10 mm 3.6x Varifocal Auto Iris lens
- 3-dimensional color conversion function for natural color reproduction even in lower color temperature situation
- Adaptive Digital Noise Reduction: Integration of 2D-DNR and 3D-DNR ensures noise reduction in various conditions.
- Electronic sensitivity enhancement: Auto (Up to 32x) / Manual (Up to 512x)
- Electronic shutter from 1/100 to 1/120,000 sec.
- Digital zoom: Up to 2x
- Auto Image Stabilizer for applications where vibration or wind is a concern
- Internal / Multiplexed Vertical Drive (VD2) synchronization
- Over the coaxial cable data communication
- 16 alphanumeric camera title display
- Multi language: English, French, Italian, Spanish, German, Russian, Chinese, Japanese
- Wide coverage :
Horizontal: 100.8 °, Vertical: 73.8 °
- Lens Distortion Compensation
- On screen display menu
- Monitor output and ELC mode for easier lens adjustment upon installation
- 3-way hinge (horizontal, vertical and swivel rotation) for easy installation
- Various mounting options: Surface mount, Embedded mount (with optional WV-Q174), Mounting to a junction box (locally obtained)
- Smart look fits for various applications such as shopping mall, hotels and hospitals.

Standard Accessories

- CD-ROM* 1 pc.
- Installation Guide 1 pc.

The following is used during installation procedures:

- Installation template label 1 pc.

*The CD-ROM contains the operating installations and installation guide (PDF).

Optional Accessories

Embedded Ceiling Mount Bracket (Sail white)
WV-Q174

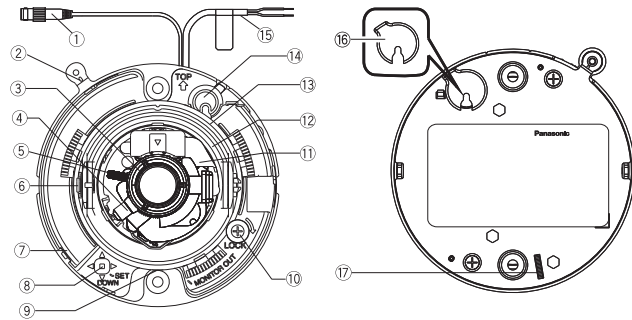


WV-CF624 / WV-CF634 Specifications

	WV-CF624	WV-CF634	
Camera	Image Sensor	1/3 type interline transfer CCD	
	Effective Pixels	976 (H) x 494 (V)	
	Scanning Mode	2:1 interlace	
	Scanning Area	4.8 (H) x 3.6 (V) mm {3/16 inches (H) x 5/32 inches (V)}	
	Scanning Frequency	Horizontal: 15.734 kHz Vertical: 59.94 Hz	
	Horizontal Resolution	650 TV lines typ.	
	Minimum Illumination	Color : 0.08 lx(color mode) B/W : 0.008 lx (black-and-white mode)	
	Signal-to-Noise Ratio	52 dB (AGC: OFF)	
	White Balance	AWC (2,000 ~ 10,000 K), ATW1 (2,700 ~ 6,000K), ATW2 (2,000 ~ 6,000K)	
	Light Control	ALC/ALC+/ELC	
	AGC	ON (LOW, MID, HIGH) / OFF	
	Super Dynamic 6	ON / OFF	
	Dynamic Range	52 dB typical (Super Dynamic 6 : ON)	
	Electronic Shutter	OFF (1/60), 1/100, 1/250, 1/500, 1/1000, 1/2000, 1/4000, 1/10000, 1/120000 (s)	
	Electronic Sensitivity UP	32x max. AUTO, 512x max. FIX	
	Day & Night	Day & Night (IR) AUTO1/AUTO2/ON/OFF	
	Digital Noise Reduction	High or Low	
	Scene File	2 patterns	
	Video Motion Detection	OFF / MOTION DETECTION / SCENE CHANGE	
	Privacy Zone	ON(1) / ON(2) / OFF	
Image Stabilizer	ON / OFF		
Camera Title	16 alphanumeric characters		
Auto Focus	—	AUTO BACK FOCUS/MANUAL	
Synchronization	Internal (INT) , multiplexed vertical drive(VD2)		
Lens	Focal Length	2.8 mm ~ 10.0 mm	
	Zoom Ratio	3.6x	
	Angular Field of View	H: 100.8° (Wide) ~ 27.6° (Tele) V: 73.8° (Wide) ~ 20.7° (Tele)	
	Maximum Aperture Ratio	1:1.3 (Wide) ~ 3.1 (Tele)	1:1.3 (Wide) ~ 3.0 (Tele)
Focusing Range	0.3 m (0.98 ft.) ~ ∞		
Input / Output	Video Output	1.0 V [p-p] NTSC composite video signal 75 Ω	
	Controller Interface	Coaxial Multiplex System	
General	Setup Method	OSD setup menu	
	Language	English, French, Italian, Spanish, German, Russian, Chinese, Japanese	
	Safety / EMC Standard	UL (UL60065), FCC (Part 15 ClassA), C-UL (E60065), DOC (ICES-003)	
	Power Source and Power Consumption	24 V AC: 2.5 W, 12 V DC: 220 mA	
	Ambient Operating Temperature	-10 °C ~ +50 °C {14°F to 122°F}	
	Ambient Operating Humidity	90 % or less (without condensation)	
	Dimensions	ø108 x 94 mm (H) {4-1/4 inches (D) x 3-23/32 inches (H)}	
	Mass (approx.)	320g {0.71 lbs}	
Finish	ABS resin / Sail White		

Part Names and Functions

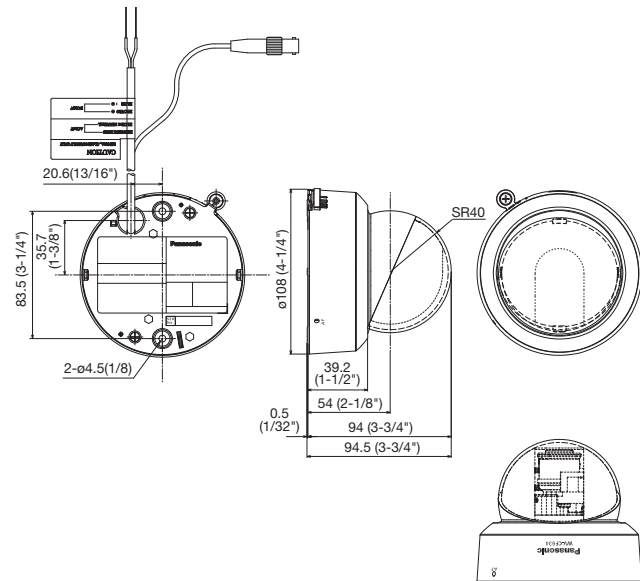
(The illustrations are WV-CF634.)



- | | |
|----------------------------------|-----------------------------------|
| ① Video Output Connector | ⑩ Panning Table Lock Screw [LOCK] |
| ② Mark | ⑪ Azimuth Adjuster |
| ③ Lens | ⑫ Tilting Table |
| ④ Focus Knob | ⑬ Panning Table |
| ⑤ Zoom Knob (with lock function) | ⑭ Cable Access Hole |
| ⑥ Tilting Lock Screw | ⑮ Power Cord |
| ⑦ AF Button [AF] | ⑯ Dust Guard Cap |
| ⑧ Setup Button [SET] | ⑰ Fingerplate |
| ⑨ Adjustment Monitor Output Jack | |

Appearance

(The illustrations are WV-CF634.)



Unit: mm (inches)

Trademarks and registered trademarks

– Microsoft, and Windows are registered trademarks of Microsoft Corporation in the U.S. and other countries.

Important

– Safety Precaution: carefully read the operating instructions and installation manual before using this product.

– "Super Dynamic", "SDII", "SDIII", "SD5", "SD5Link", "SD6", "i-PRO" and "i-PRO SmartHD" logos are trademarks or registered trademarks of Panasonic Corporation.

- All TV pictures are simulated.
- Weights and dimensions are approximate.
- Specifications are subject to change without notice.
- These products may be subject to export control regulations.
- All product pictures are NTSC models.

DISTRIBUTED BY:

Panasonic®

<http://panasonic.ca>