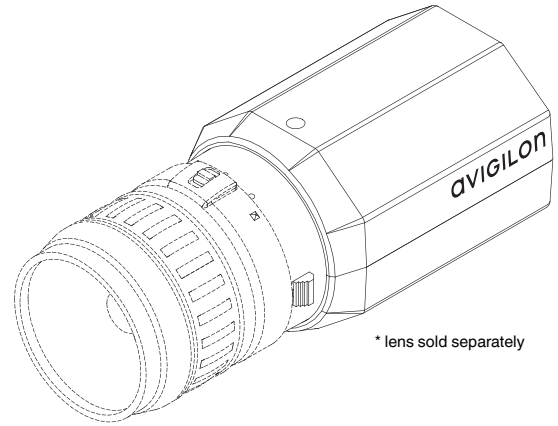


11 Megapixel Monochrome NIR High Definition Professional IP Camera



Description

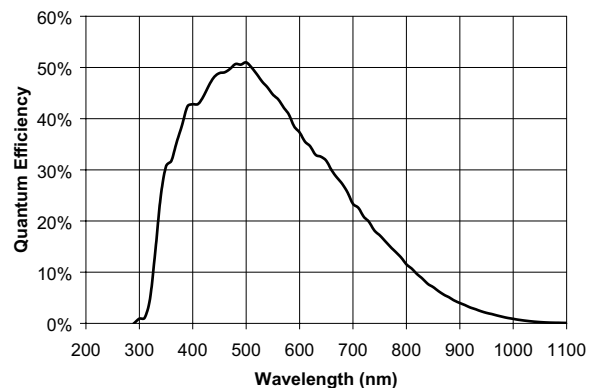
The Avigilon 11 megapixel monochrome near infrared high definition professional IP camera is a high sensitivity, wide dynamic range, progressive scan CCD camera designed for the most demanding low-light surveillance applications. It transmits images over 100BASE-TX using advanced JPEG2000 progressive compression technology to achieve the lowest network bandwidth and most efficient image storage in the industry while maintaining unsurpassed image quality.

The camera's advanced image acquisition system automatically adjusts the exposure time and the iris to ensure all available evidence is captured throughout the full range of day and nighttime scenes. The camera has an EF lens mount that is compatible with a wide selection of Canon® lenses.

The camera seamlessly integrates with Avigilon Control Center NVMS and High Definition NVRs using standard network equipment creating a network based surveillance solution with unmatched performance, ease of use, and ease of installation. Camera power is provided by either Power over Ethernet, 12 VDC, or 24 VAC.

Features

- 11 megapixel progressive scan CCD sensor
- Unsurpassed image quality
- 5 images per second at full resolution and 10 images per second at 4000 x 480
- 66 dB true dynamic range
- 0.01 lux minimum illumination
- Lossless JPEG2000 compression
- 35 mm optical format
- Automatic exposure control and iris control
- Software focus control
- Compatible with a wide selection of Canon® EF mount lenses
- Power over Ethernet, 24 VAC or 12 VDC power input
- External I/O and RS-485 interface



Specifications

Camera

| | |
|----------------------------|--|
| Image Sensor | 35 mm progressive scan interline transfer CCD |
| Active Pixels | 4000 (H) x 2672 (V) |
| Imaging Area | 37.3 mm (H) x 25.7 mm (V) 1.468" (H) x 1.012" (V) |
| Minimum Illumination | 0.01 lux (at F1.4) |
| Dynamic Range | 66 dB |
| Lens Mount | EF (SLR-style bayonet) |
| Image Compression Method | JPEG2000 |
| Image Rate | 5 (at full resolution) 10 (at 4000 x 480) |
| Resolution Windowing | Down to 640 x 480 Window |
| Motion Detection | Selectable sensitivity and threshold |
| Electronic Shutter Control | Automatic, Manual (2 to 1/60000 sec) |
| Iris Control | Automatic, Manual |
| Focus Control | Automatic, Manual |
| Flicker Control | 50 Hz, 60 Hz |
| Backlight Compensation | Automatic |
| Privacy Zones | Up to 4 zones |
| External I/O Terminals | Alarm In, Alarm Out, RS-485 |

Network

| | |
|--------------|--------------------------------|
| Network | 100BASE-TX |
| Cabling Type | CAT5 |
| Connector | RJ-45 |
| Security | SSL |
| Protocol | UDP, TCP, SOAP, DHCP, Zeroconf |

Mechanical

| | |
|--------------------|--|
| Dimensions (LxWxH) | 120 mm x 79 mm x 74 mm 4.7" x 3.1" x 2.9" |
| Weight | 1.15 kg (2.5 lbs) without lens |
| Camera Mount | 1/4" UNC-20 (top and bottom) |

Electrical

| | |
|-------------------|---|
| Power Source | VDC: 12-24 V VAC: 24 V PoE: IEEE802.3af Class 3 compliant |
| Power Consumption | 9 W |
| Power Connector | 2-pin terminal block |

Environmental

| | |
|-----------------------|---|
| Operating Temperature | -10 °C to +50 °C (14 °F to 122 °F) |
| Storage Temperature | -10 °C to +70 °C (14 °F to 158 °F) |
| Humidity | 20 - 80% Relative humidity (non-condensing) |

Certifications

| |
|---------------|
| CE, Class A |
| FCC, Class A |
| UL/cUL Listed |

Ordering Information

| | |
|---------------|--|
| 11MP-HD-PRO-M | 11 Megapixel Monochrome NIR High Definition Professional IP Camera |
|---------------|--|

Outline Dimensions

